

# *Filtration Catalog 2019*

*Distributed By: Swanson Industries*



-Water Filtration-  
Emulsion, Cooling, Spray

# WATER FILTRATION

EMULSION / COOLING / SPRAY

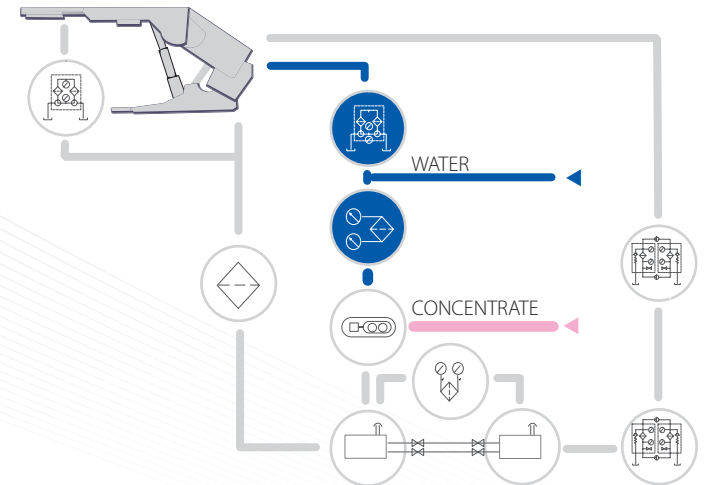


## 3218

### Automatic backflush filter

#### SPECIFICATION

Inlet / outlet	DN 100
Backflush outlet	DN 40
Mat. housing	stainless steel
Max. flow rate	396 GPM
Rec. flow rate	396 GPM
Max. operating pressure	580 PSI
No. of elements	6



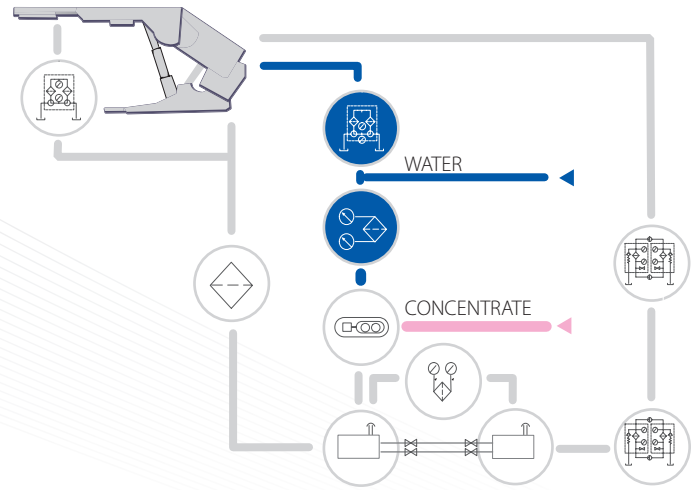
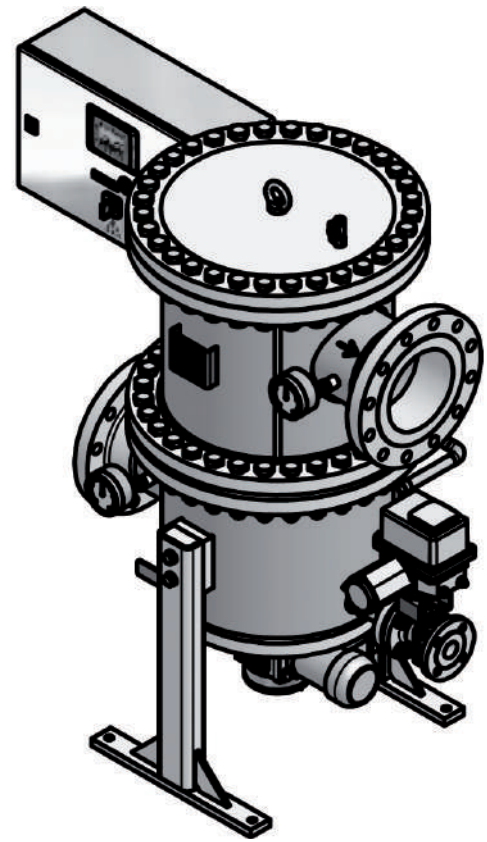
**WATER FILTRATION**  
EMULSION / COOLING / SPRAY

# 3219

## Automatic backflush filter 8"

### SPECIFICATION

Inlet / outlet	8" ASME 300
Backflush outlet	DN 40 Steck-O
Mat. housing	stainless steel
Max. flow rate	1004 GPM
Rec. flow rate	793 GPM
Max. operating pressure	580 PSI
No. of elements	12
Max. operating temperature	122 °F
Volume of vessel	48 US GAL
Weight	1433 LB
dP Autom. back flush	22 PSI



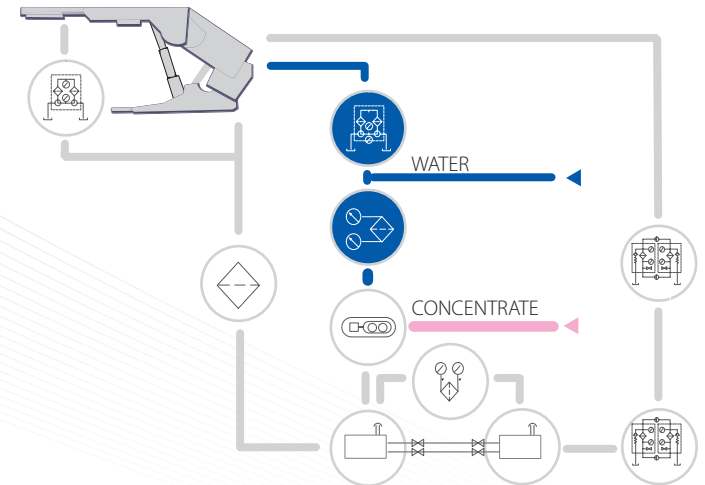
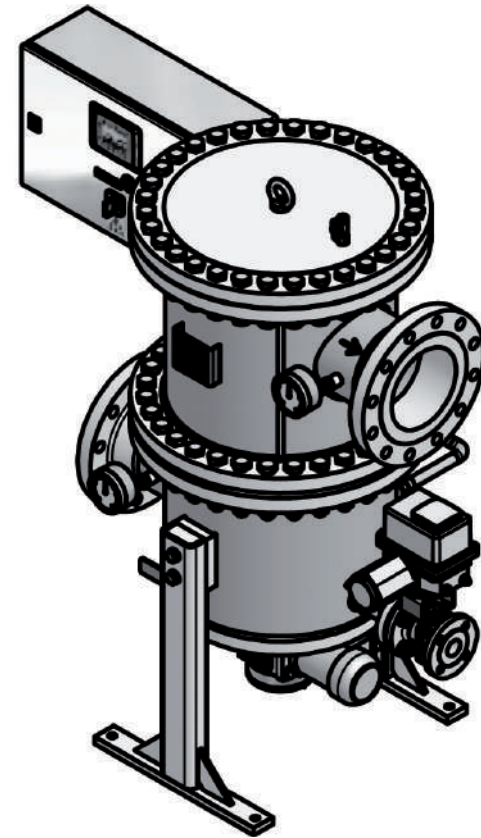
# WATER FILTRATION

EMULSION / COOLING / SPRAY

## 3219 Automatic backflush filter 8"

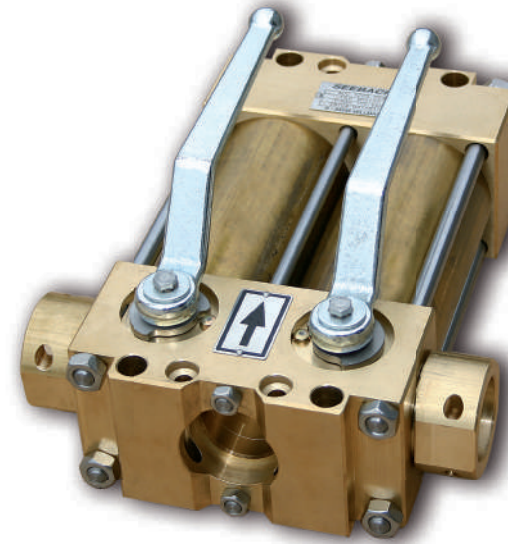
### SPECIFICATION

Inlet / outlet	8" ASME 300
Backflush outlet	DN 40 Steck-O
Mat. housing	stainless steel
Max. flow rate	1638 GPM
Rec. flow rate	1321 GPM
Max. operating pressure	580 PSI
No. of elements	18
Max. operating temperature	122 °F
Volume of vessel	48 US GAL
Weight	1433 LB
dP Autom. back flush	22 PSI



# WATER FILTRATION

EMULSION / COOLING / SPRAY

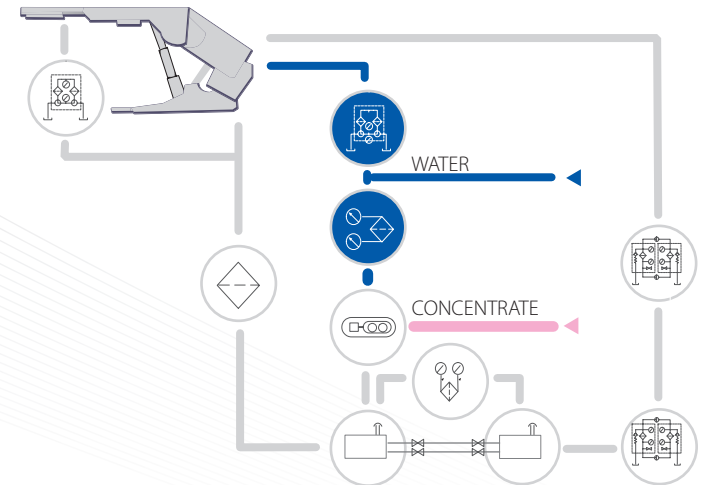


## 1229

### Double backflush filter

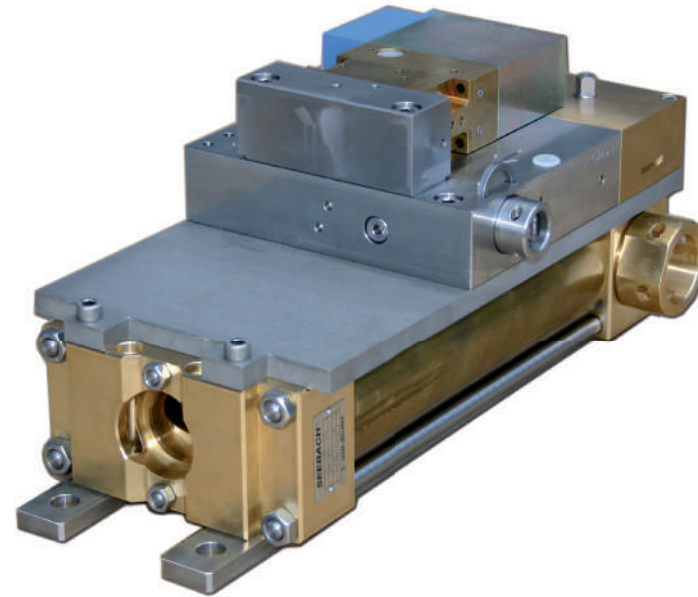
#### SPECIFICATION

Inlet / outlet	DN 32 Steck-O
Backflush outlet	DN 25 Steck-O
Mat. housing	brass
Max. flow rate	66 GPM
Max. operating pressure	1450 PSI
Weight	37 LB



# WATER FILTRATION

EMULSION / COOLING / SPRAY

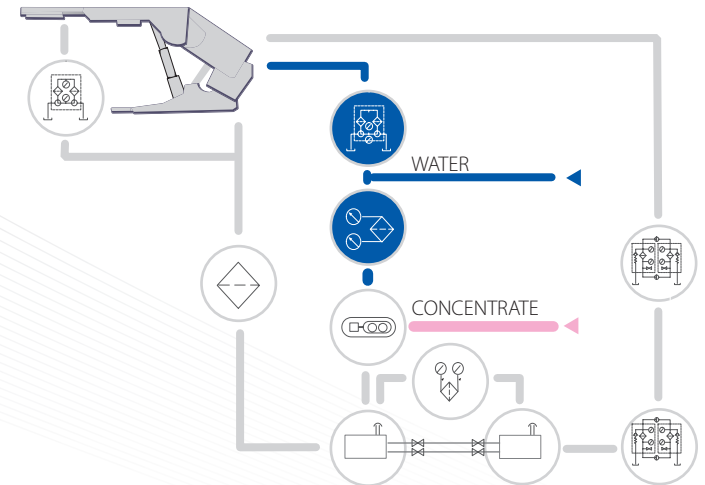


## 1229

### Automatic double backflush filter

#### SPECIFICATION

Inlet / outlet	DN 32 Steck-O
Backflush outlet	DN 25 Steck-O
Mat. housing	stainless steel / brass
Max. flow rate	66 GPM
Max. operating pressure	1450 PSI
Filter rating	25 µm to 200 µm



# WATER FILTRATION

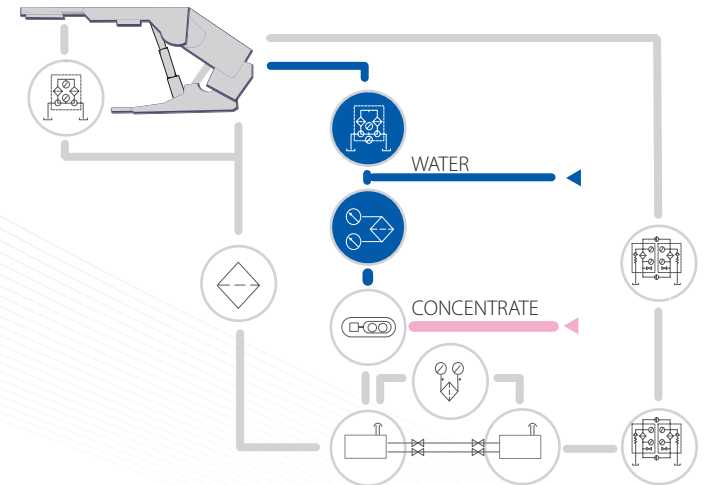
EMULSION / COOLING / SPRAY

## 10152

Double filter, backflushable

### SPECIFICATION

Inlet / outlet	G 2
Backflush outlet	DN 38 Steck-O
Mat. housing	stainless steel and brass
Max. flow rate	211 GPM
Max. operating pressure	1450 PSI
Max. operating temperature	176 °F
Filter rating	25 , 50 or 100 µm





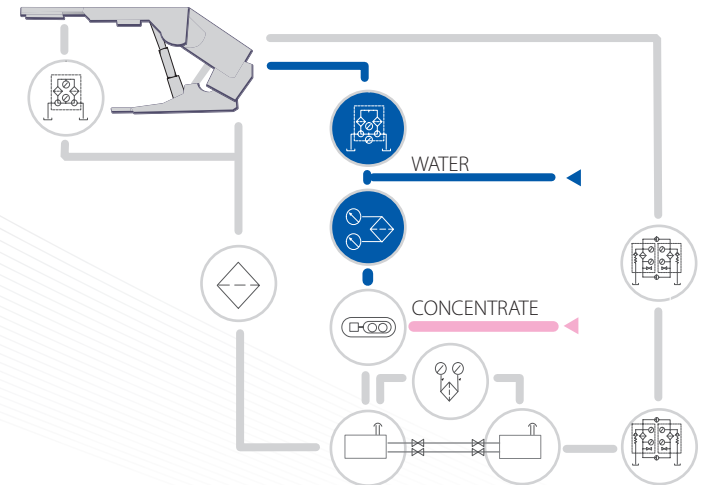
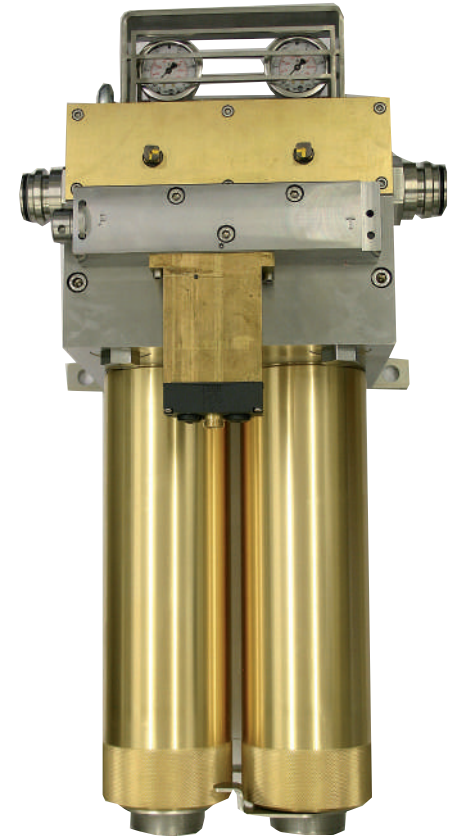
**WATER FILTRATION**  
EMULSION / COOLING / SPRAY

# 10152

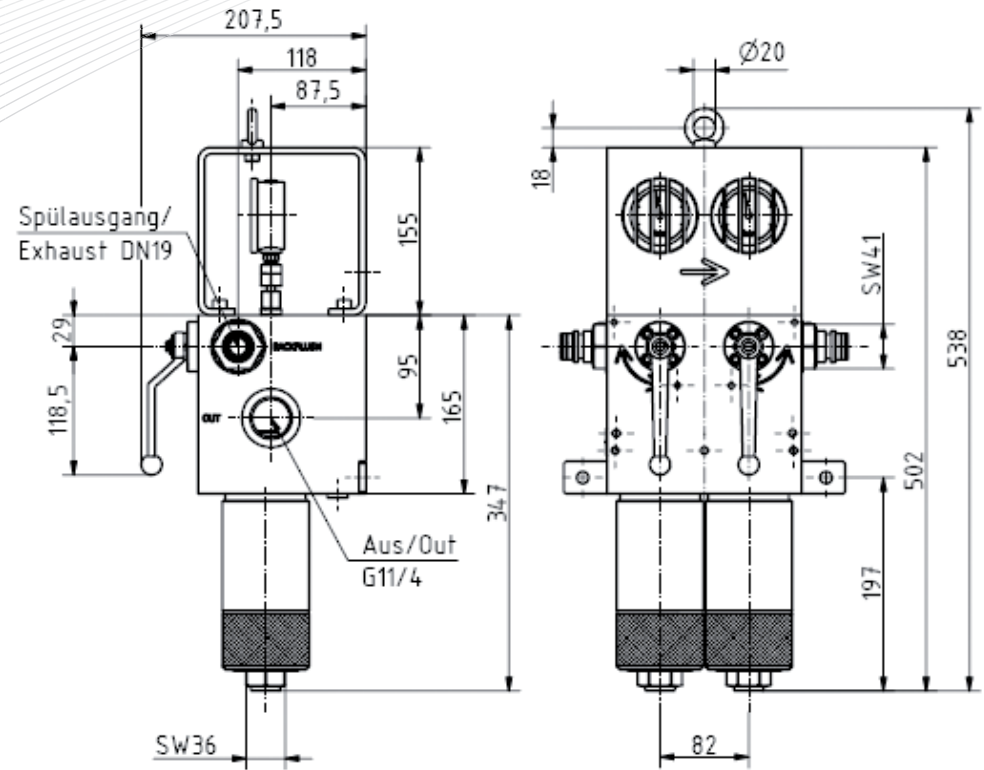
## Double filter automatic backflushable

### SPECIFICATION

Inlet / outlet	G 2
Backflush outlet	DN 38 Steck-O
Mat. housing	stainless steel and brass
Max. flow rate	211 GPM
Max. operating pressure	1450 PSI
Max. operating temperature	176 °F
Filter rating	25 , 50 or 100 µm



**WATER FILTRATION**  
EMULSION / COOLING / SPRAY

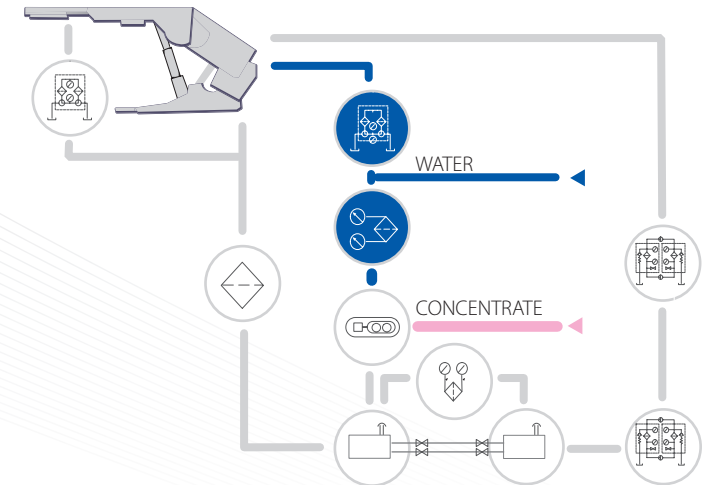


# 10252

Double filter, backflushable

## SPECIFICATION

Inlet / outlet	G 1 1/4
Backflush outlet	DN 19 Steck-O
Mat. housing	stainless steel and brass
Max. flow rate	79 GPM
Max. operating pressure	2176 PSI
Max. operating temperature	176 °F
Filter rating	25, 50 or 100 µm



# WATER FILTRATION

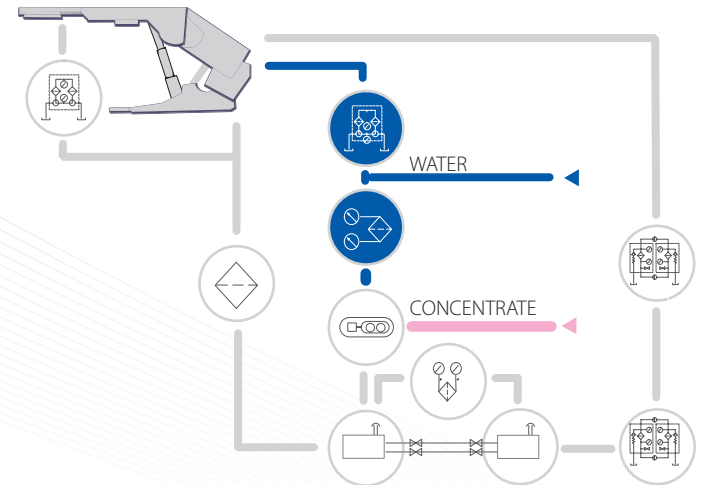
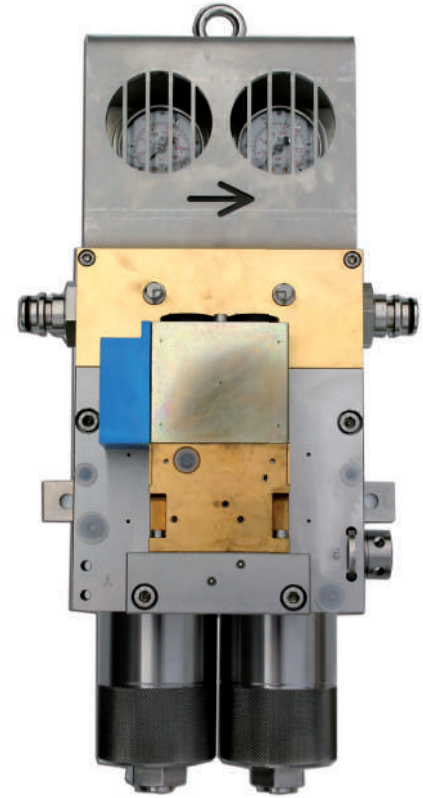
EMULSION / COOLING / SPRAY

## 10252

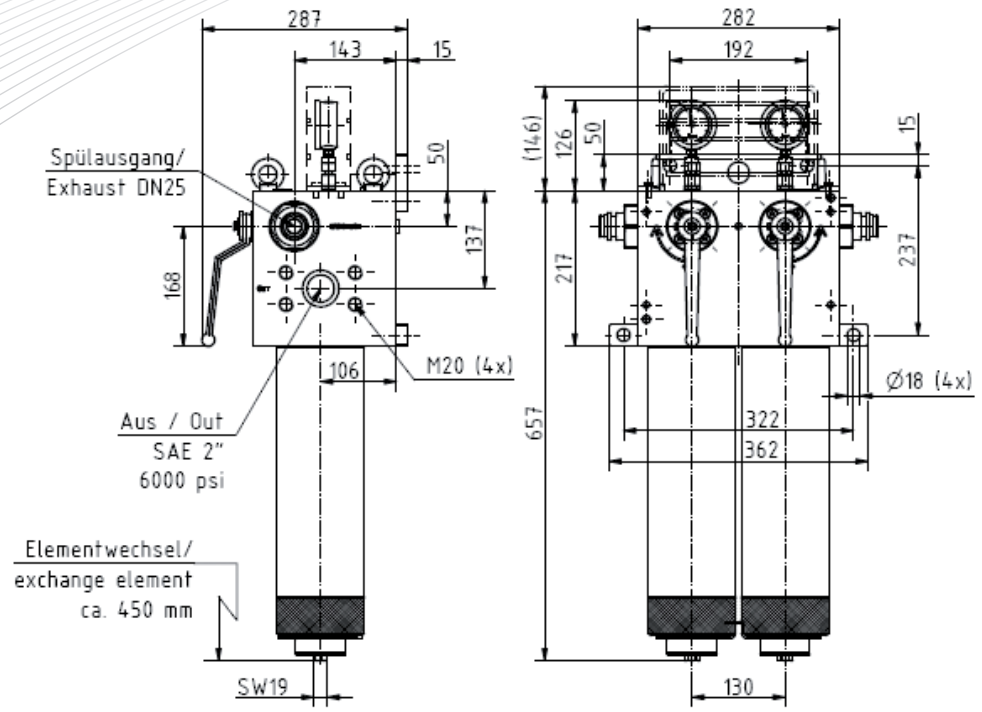
### Double filter automatic backflushable

#### SPECIFICATION

Inlet / outlet	G 1 1/4
Backflush outlet	DN 19 Steck-O
Mat. housing	stainless steel and brass
Max. flow rate	79 GPM
Max. operating pressure	2176 PSI
Max. operating temperature	176 °F
Filter rating	25, 50 or 100 µm



**WATER FILTRATION**  
EMULSION / COOLING / SPRAY

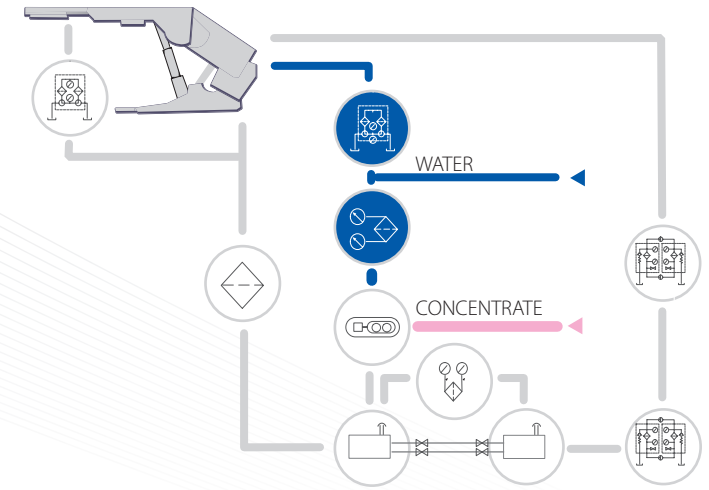


# 10297

## Double filter SAE2", backflushable

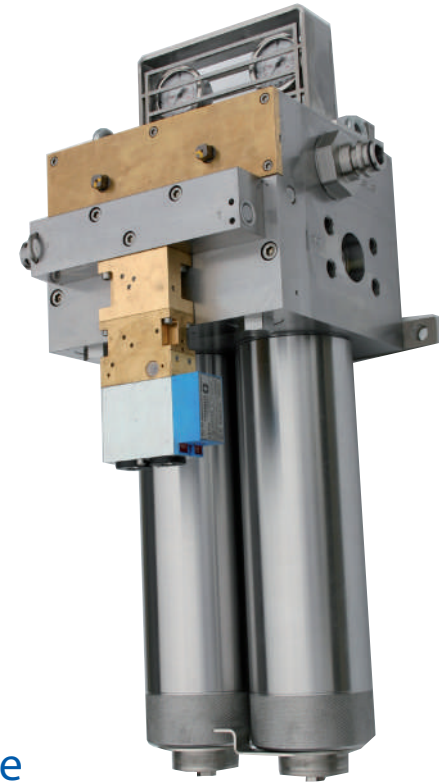
### SPECIFICATION

Inlet / outlet	SAE 2"
Backflush outlet	DN 25 Steck-O
Mat. housing	stainless steel
Max. flow rate	211 GPM
Max. operating pressure	5076 PSI
Max. operating temperature	176 °F
Filter rating	25 to 100 µm



# WATER FILTRATION

EMULSION / COOLING / SPRAY

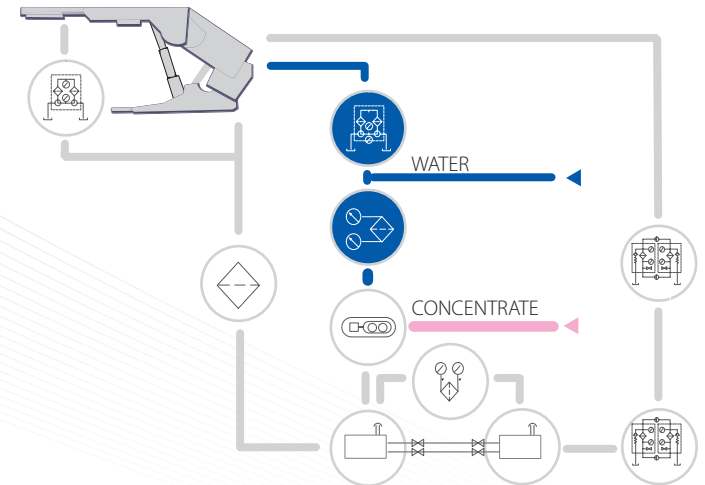


## 10297

### Double filter SAE2", automatic backflushable

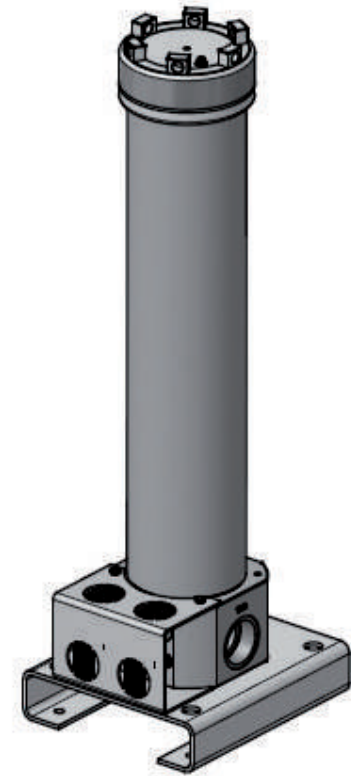
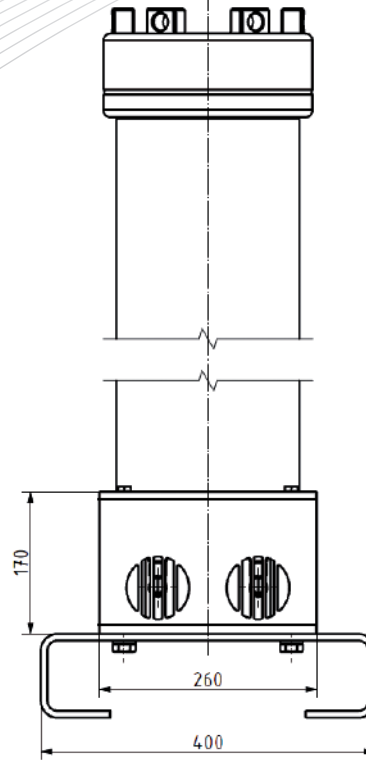
#### SPECIFICATION

Inlet / outlet	SAE 2"
Backflush outlet	DN 25 Steck-O
Mat. housing	stainless steel
Max. flow rate	211 GPM
Max. operating pressure	5076 PSI
Max. operating temperature	176 °F
Filter rating	25 to 100 µm



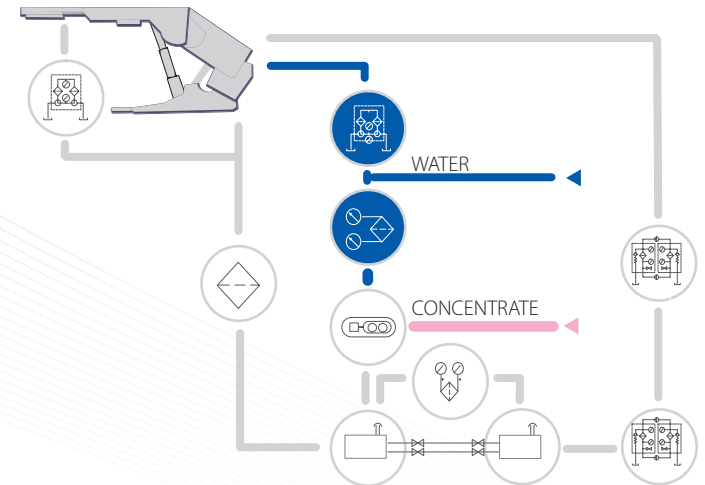
**WATER FILTRATION**  
EMULSION / COOLING / SPRAY

**10035**  
Inlinfilter



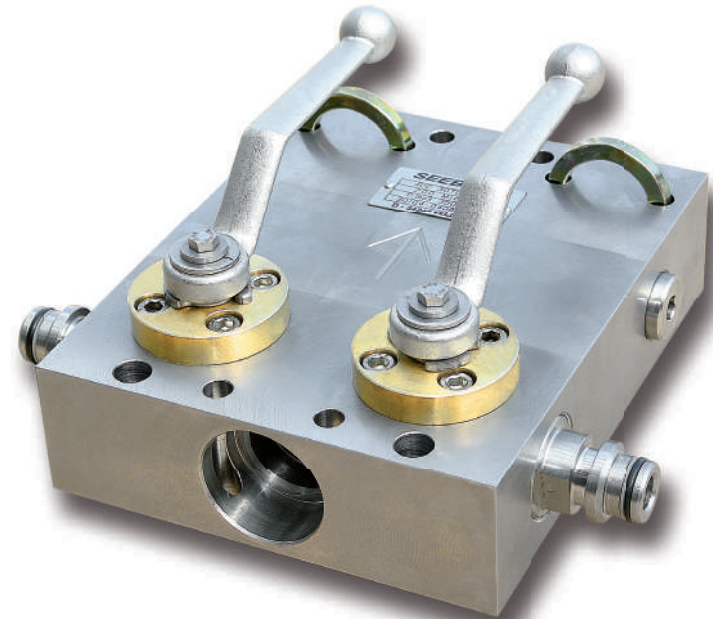
**SPECIFICATION**

Mat. housing	stainless steel
Max. flow rate	687 GPM
Rec. flow rate	581 GPM
Max. operating pressure	1450 PSI
Max. operating temperature	140 °F
dP bypass	73 PSI
Weight	595 LB
Standards	AD 2000



# High Pressure Filtration

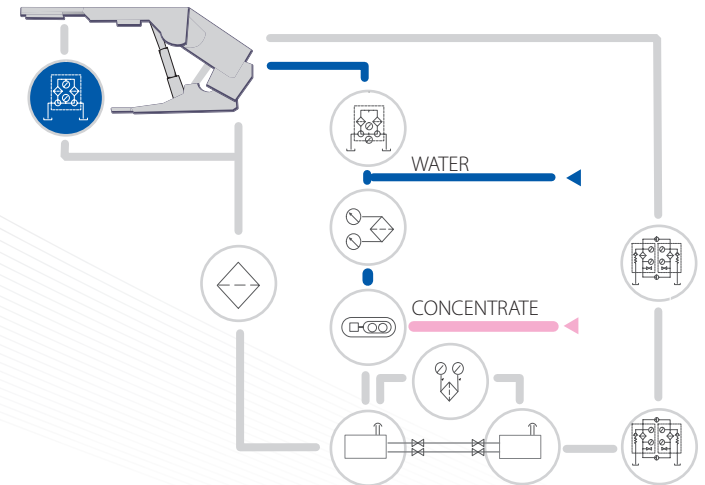
# HIGH PRESSURE FILTRATION



## 3070 Double filter, backflushable

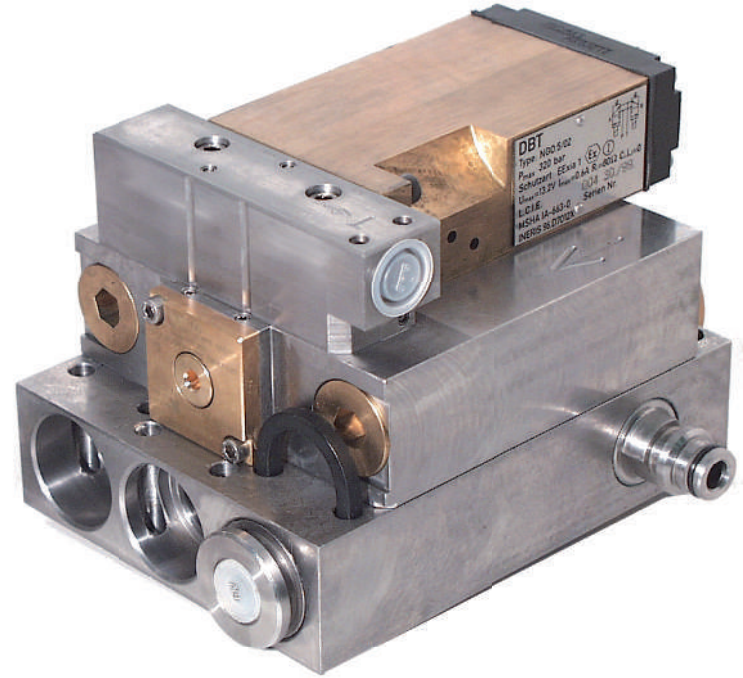
### SPECIFICATION

Inlet / outlet	DN 25 Steck-O
Backflush outlet	DN 12 (2x)
Mat. housing	stainless steel
Max. flow rate	53 GPM
Max. operating pressure	5076 PSI
Filter rating	25 to 200 $\mu$ m





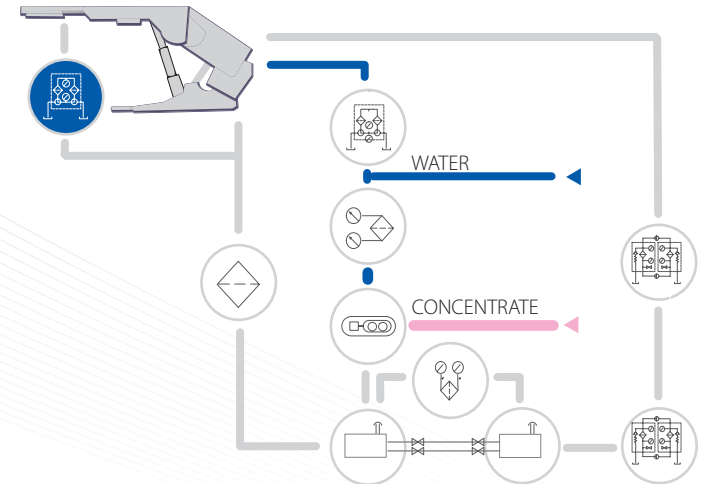
# HIGH PRESSURE FILTRATION



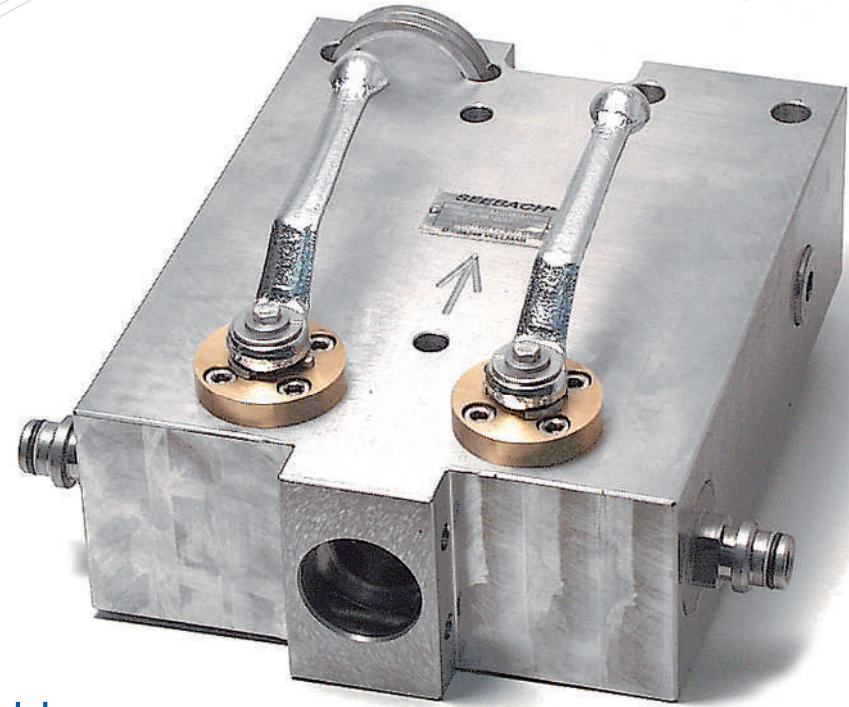
## 3099 Double backflush filter autom.

### SPECIFICATION

Inlet / outlet	DN 25 Steck-O
Backflush outlet	DN 12 Steck-O
Mat. housing	stainless steel
Max. flow rate	53 GPM
Max. operating pressure	5076 PSI
No. of elements	2
Filter rating	25 µm - 80 µm



# HIGH PRESSURE FILTRATION

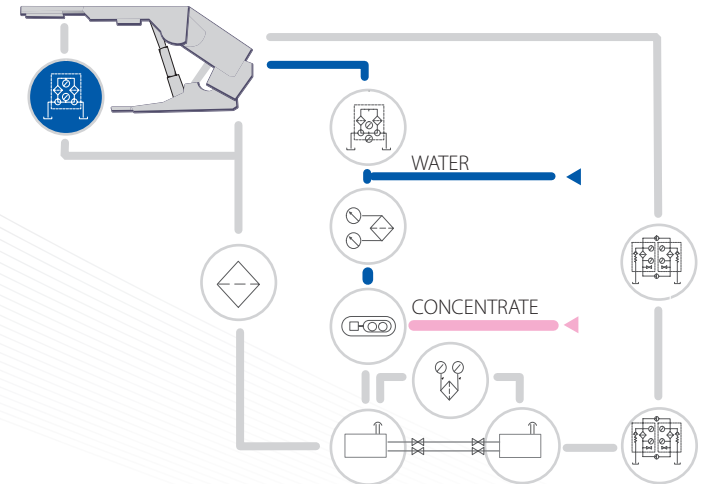


## 3188 Double filter, backflushable

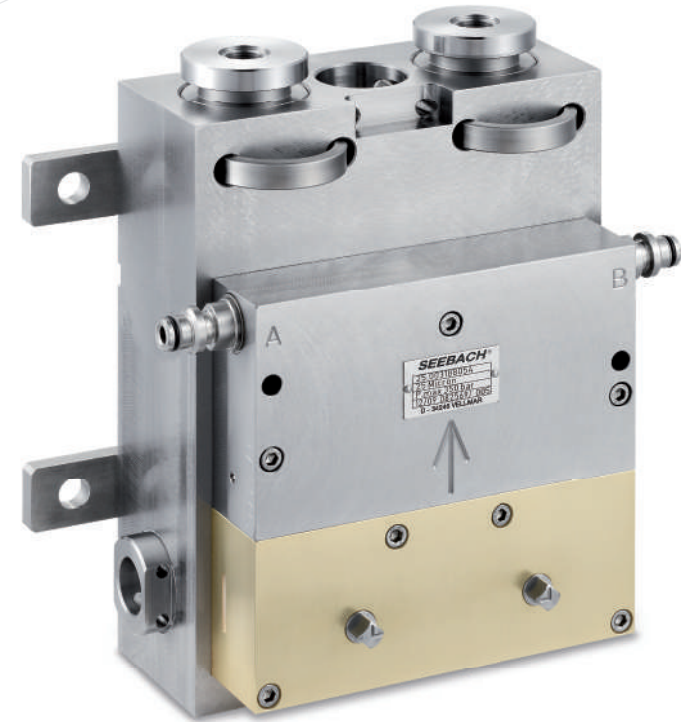
### SPECIFICATION

Inlet / outlet  
Backflush outlet  
Mat. housing  
Max. flow rate  
Max. operating pressure  
Filter rating

DN 25 Steck-O  
DN 12 Steck-O  
stainless steel  
106 GPM  
5076 PSI  
25  $\mu$ m



# HIGH PRESSURE FILTRATION

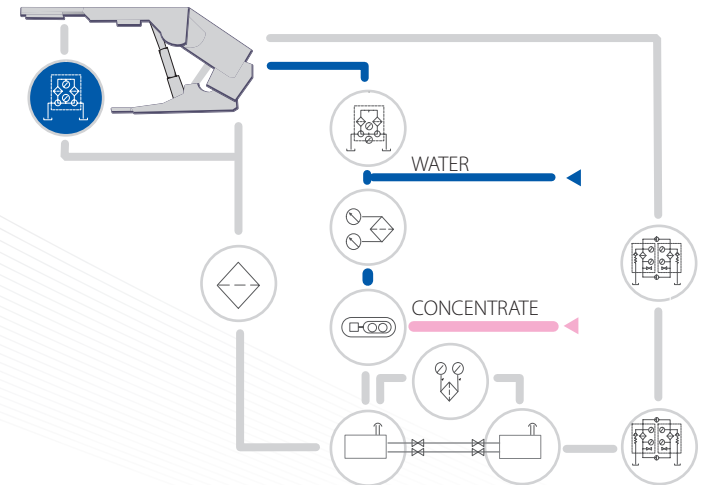


## 3188

### Double filter automatic backflushable

#### SPECIFICATION

Inlet / outlet	DN 25 Steck-O
Backflush outlet	DN 12 Steck-O
Mat. housing	stainless steel and steel
Max. flow rate	106 GPM
Max. operating pressure	5076 PSI
Filter rating	25 µm

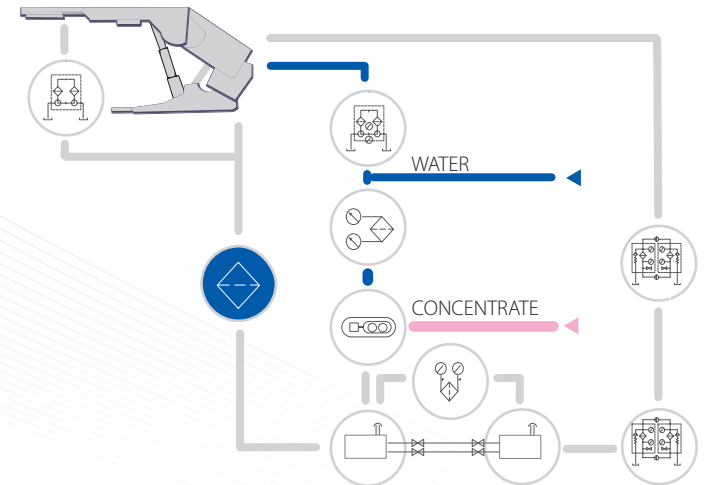


# HIGH PRESSURE FILTRATION

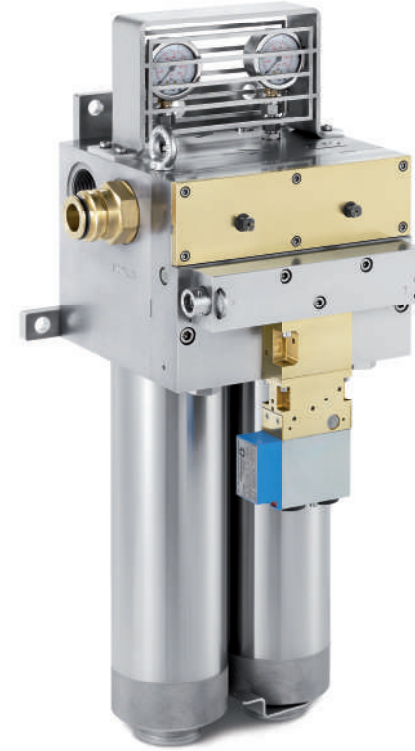
## 3197 Double filter, backflushable

### SPECIFICATION

Inlet / outlet	G2
Backflush outlet	DN 19 Steck-O
Mat. housing	stainless steel
Max. flow rate	132 GPM
Max. operating pressure	5076 PSI
Filter rating	25 to 100 µm



# HIGH PRESSURE FILTRATION



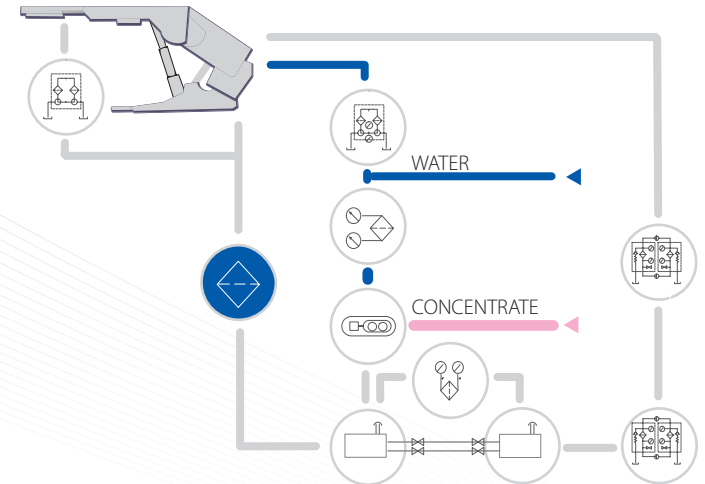
## 3197

### Double filter automatic backflushable

#### SPECIFICATION

Inlet / outlet  
Backflush outlet  
Mat. housing  
Max. flow rate  
Max. operating pressure  
Filter rating

G2  
DN 19 Steck-O  
stainless steel  
132 GPM  
5076 PSI  
25 to 100 µm

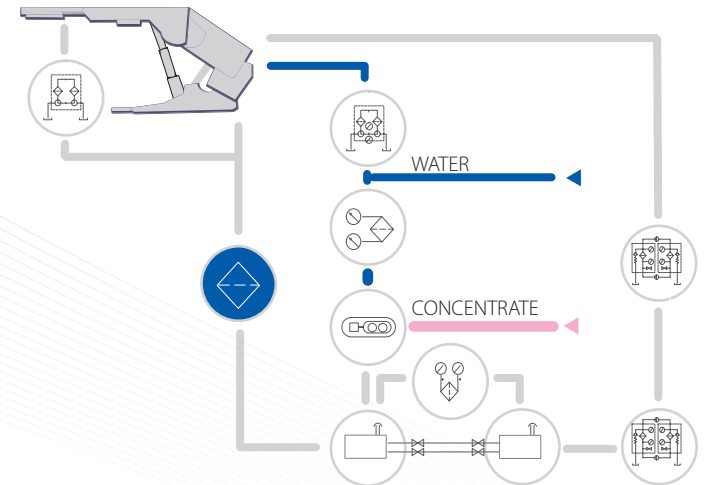


# HIGH PRESSURE FILTRATION

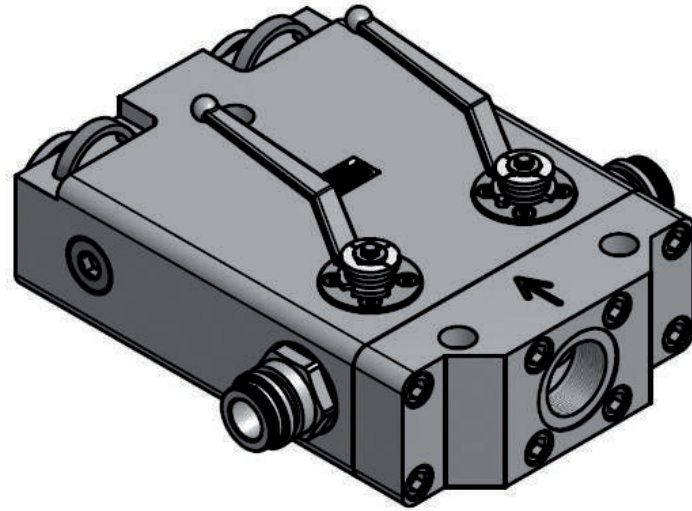
## 10164 Double filter with cartridge

### SPECIFICATION

Inlet / outlet	G 2
Backflush outlet	DN 19 Steck-O
Mat. housing	stainless steel and brass
Max. flow rate	132 GPM
Rec. flow rate	132 GPM
Max. operating pressure	5076 PSI
Max. operating temperature	122 °F
Filter rating	25 to 100 µm
Pilot valve	DBT



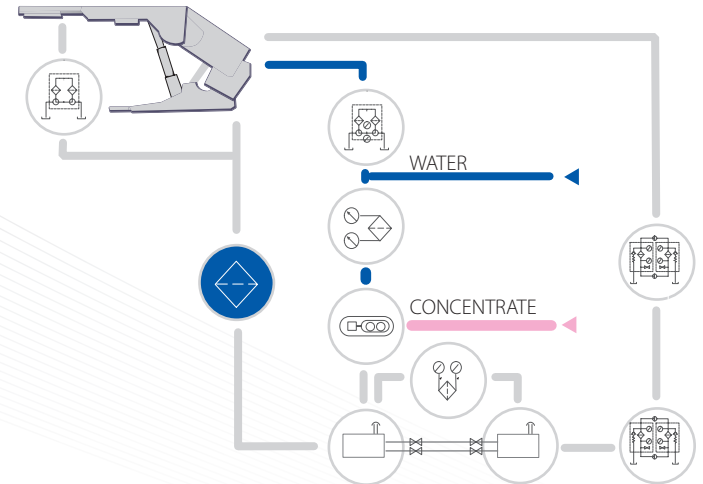
# HIGH PRESSURE FILTRATION



## 10615 Double filter backflushable

### SPECIFICATION

Inlet / outlet	G2
Backflush outlet	DN 38 Steck-O
Mat. housing	stainless steel
Max. flow rate	330 GPM
Rec. flow rate	264 GPM
Max. operating pressure	5076 PSI
Max. operating temperature	176 °F

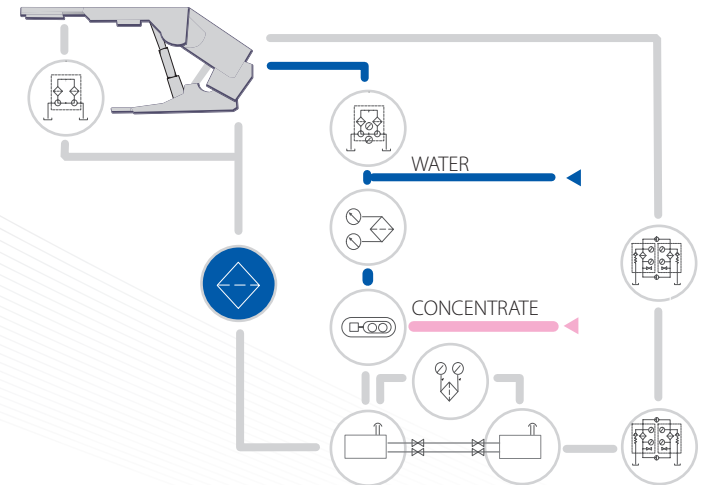


# HIGH PRESSURE FILTRATION

## 10703 Double Cartridge Filter

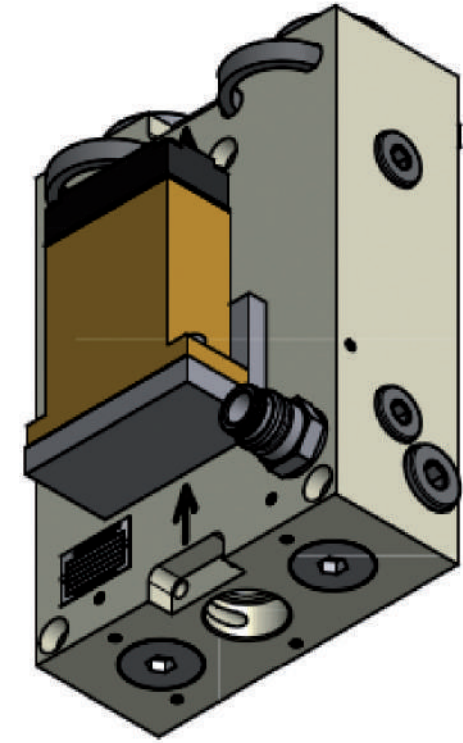
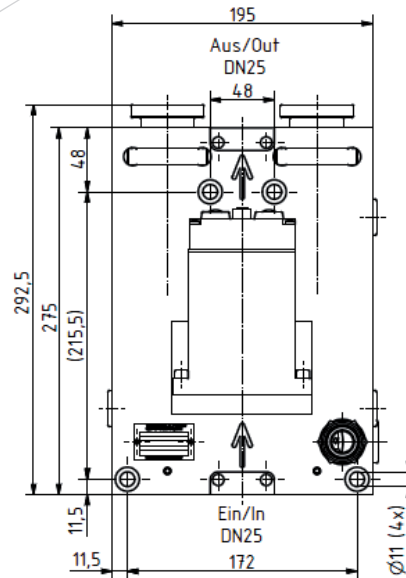
### SPECIFICATION

Inlet / outlet	G 2
Backflush outlet	DN 19 Steck-O
Mat. housing	stainless steel and brass
Max. flow rate	211 GPM
Rec. flow rate	211 GPM
Max. operating pressure	5076 PSI
Max. operating temperature	122 °F
Filter rating	25 to 100 µm
Pilot valve	DBT





# HIGH PRESSURE FILTRATION

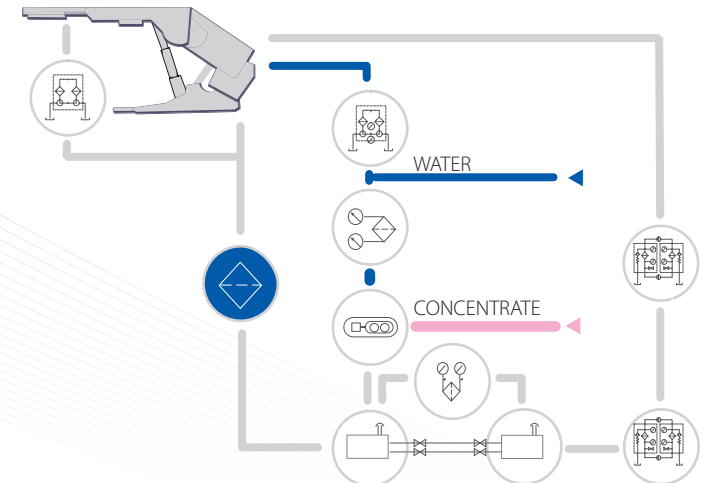


## 10788

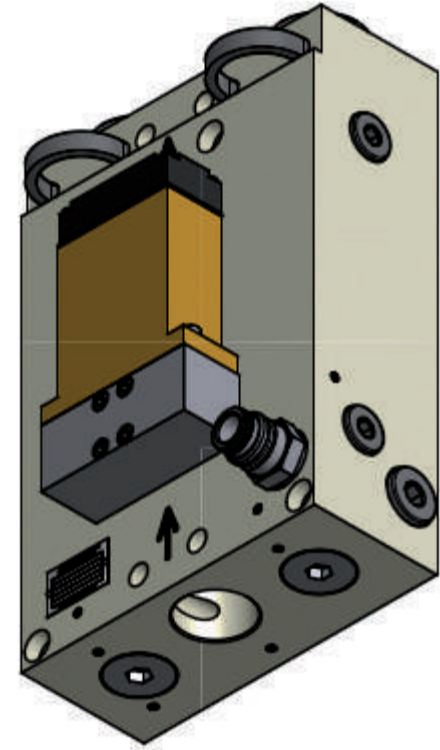
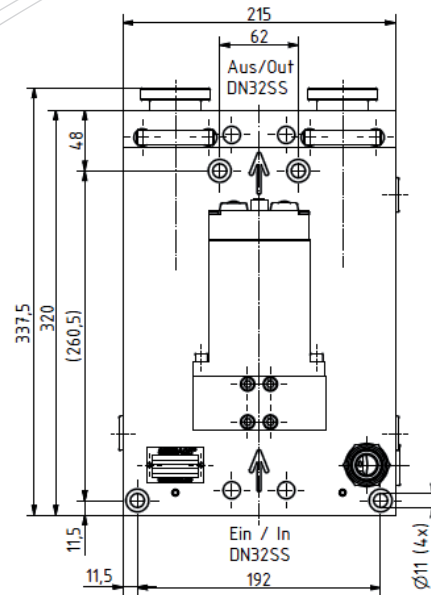
### Double filter, autom backflushable

#### SPECIFICATION

Inlet / outlet	DN 25 Steck-O
Backflush outlet	DN 19 Steck-O
Mat. housing	stainless steel
Max. flow rate	132 GPM
Rec. flow rate	106 GPM
Max. operating pressure	5076 PSI
No. of elements	2
Filter rating	25 $\mu$ m



# HIGH PRESSURE FILTRATION



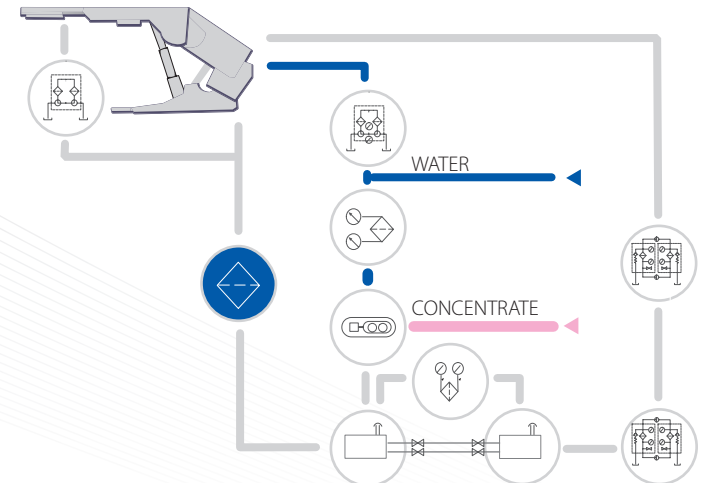
## 10819

### Double filter, autom backflushable

#### SPECIFICATION

Inlet / outlet  
Mat. housing  
Max. flow rate  
Rec. flow rate  
Max. operating pressure  
Filter rating

DN 32 Super Steck-O  
stainless steel rostfrei  
198 GPM  
159 GPM  
5076 PSI  
25 µm



# Inline Filtration

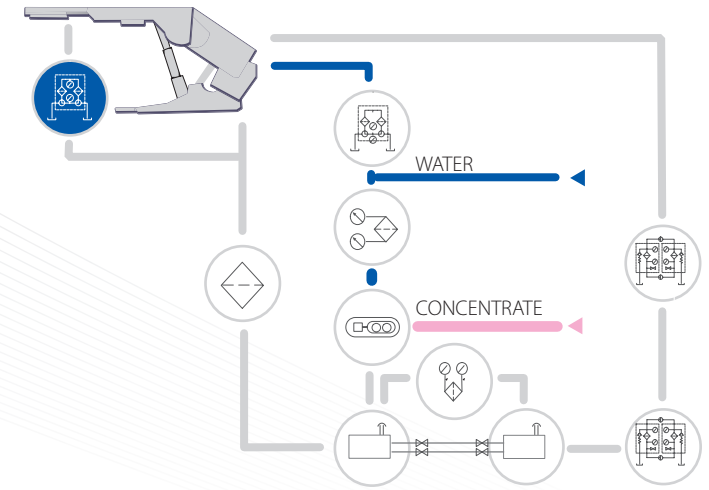
# INLINE FILTRATION



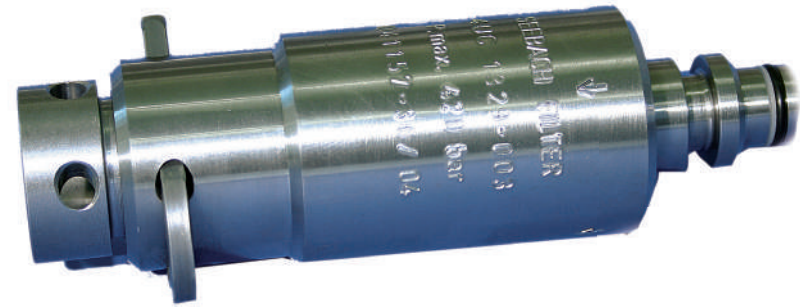
## 1298 Inline filter

### SPECIFICATION

Inlet / outlet	DN 12 Steck-O
Mat. housing	stainless steel
Max. flow rate	18 GPM
Max. operating pressure	6092 PSI
Max. dP Element	4569 PSI



**INLINE  
FILTRATION**

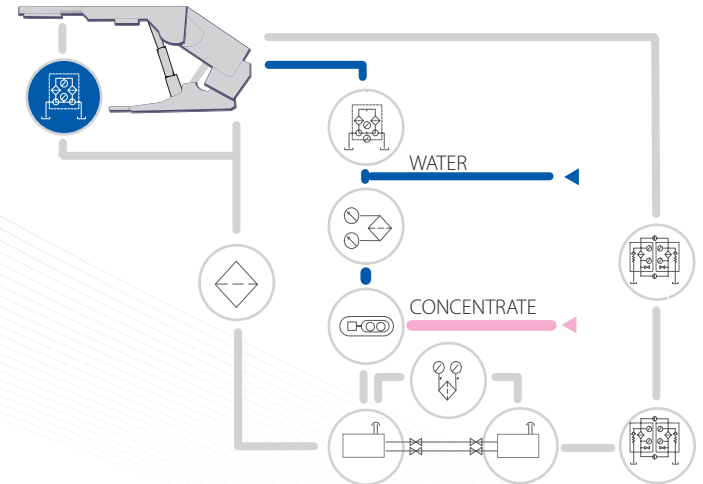


**1329**  
Inline filter

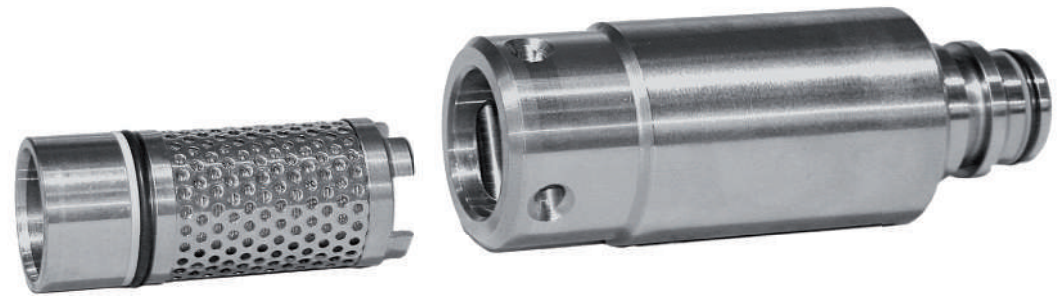
**SPECIFICATION**

Inlet / outlet  
Mat. housing  
Max. flow rate  
Max. operating pressure  
Max. dP Element  
Filter rating

DN 10 Steck-O  
stainless steel  
12 GPM  
6092 PSI  
4569 PSI  
10 to 100 µm



**INLINE  
FILTRATION**

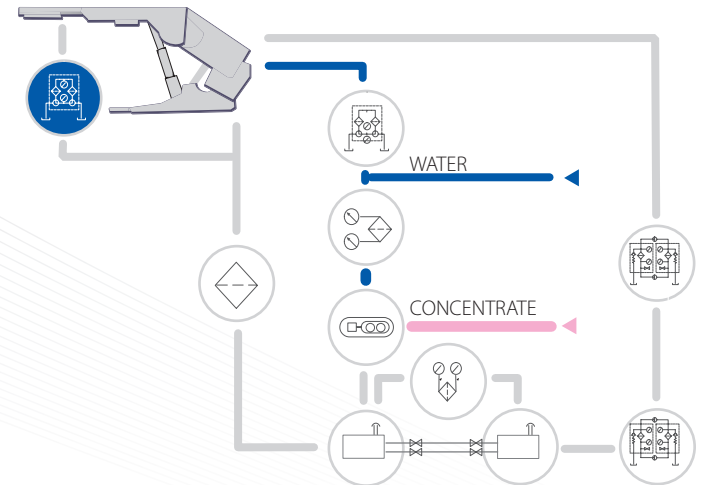


# 1330

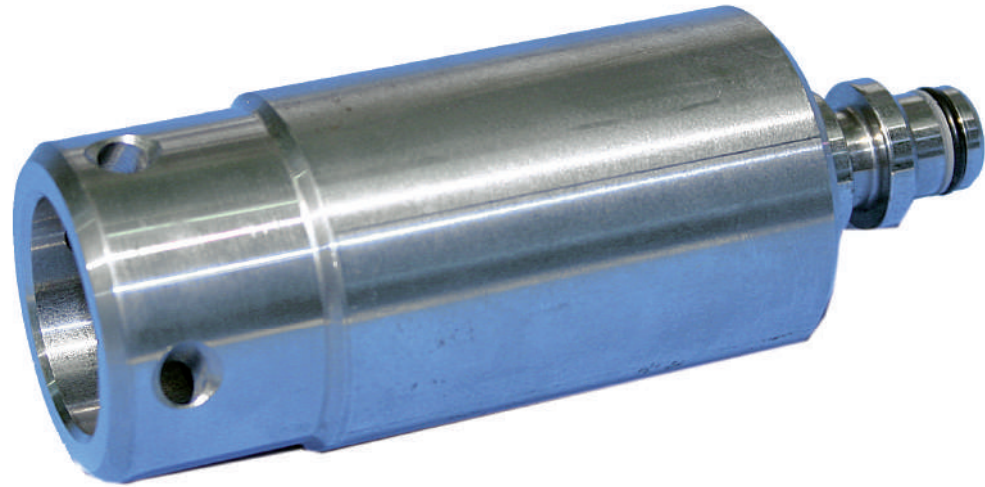
Filter cartridge

## SPECIFICATION

Inlet / outlet	DN 20 Steck-O
Mat. housing	stainless steel
Max. flow rate	48 GPM
Max. operating pressure	6092 PSI
Max. dP Element	4569 PSI
Filter rating	25 - 200 µm



**INLINE  
FILTRATION**



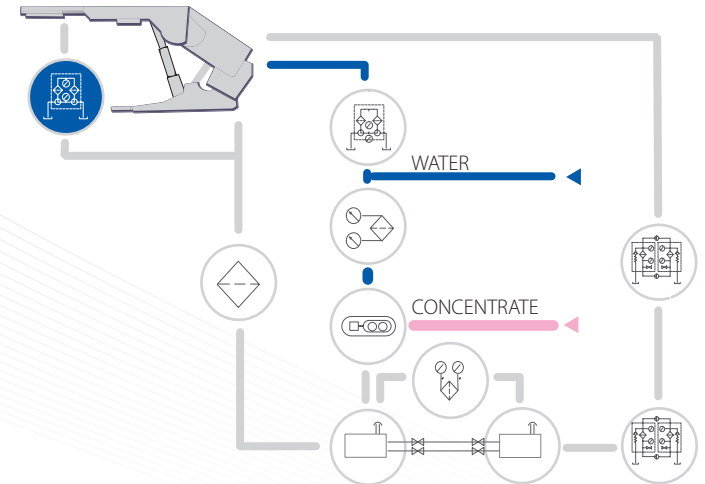
# 3055

Filter cartridge

## SPECIFICATION

Inlet / outlet  
Mat. housing  
Max. flow rate  
Max. operating pressure  
Notice  
Max. dP Element  
Filter rating

DN 10 Steck-O  
stainless steel  
12 GPM  
6092 PSI  
filter element pleated  
4569 PSI  
25 µm



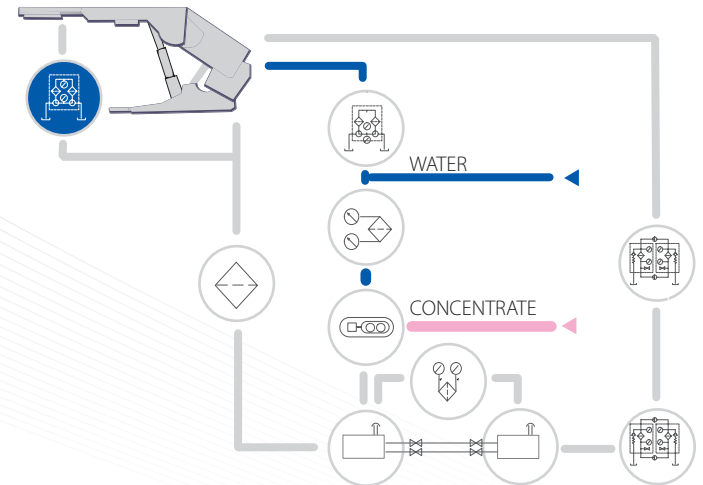
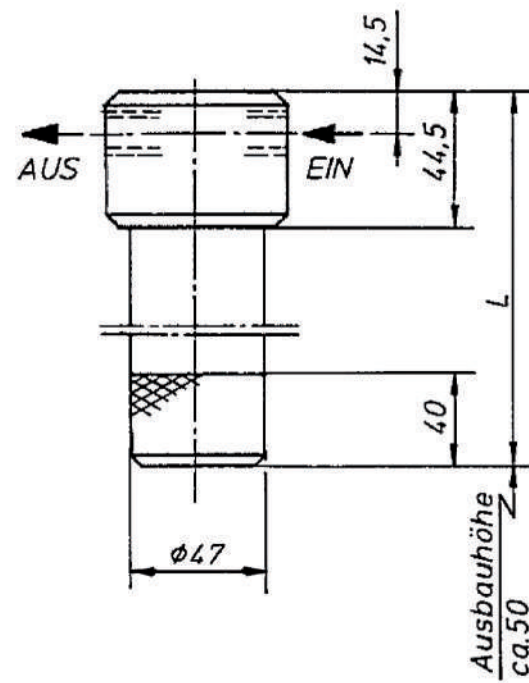
INLINE  
FILTRATION

# 3060

Inine filter

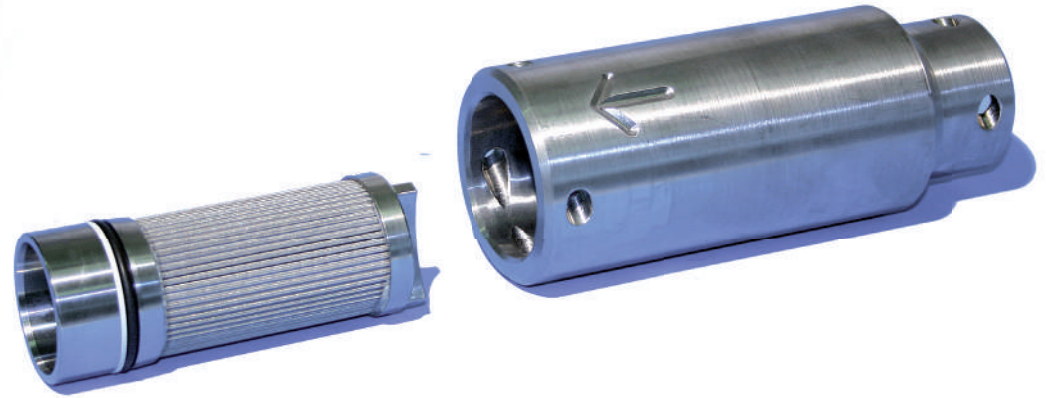
## SPECIFICATION

Inlet / outlet	G 1/4"
Mat. housing	stainless steel
Max. flow rate	5 GPM
Max. operating pressure	145 PSI
Max. operating temperature	392 °F





**INLINE  
FILTRATION**

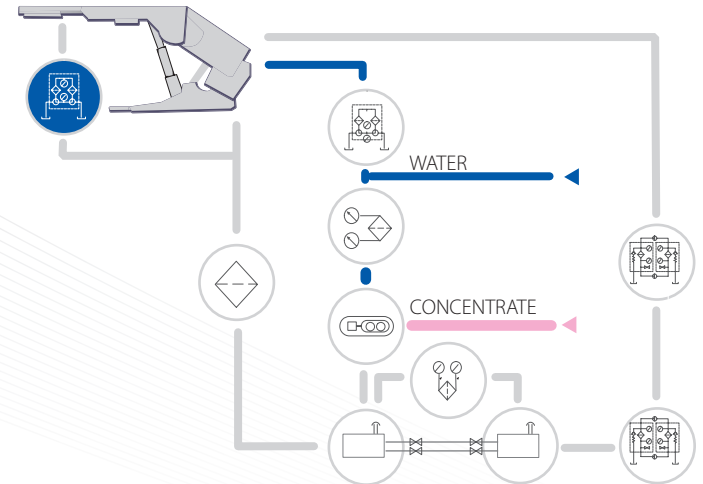


**3077**  
Inline filter LL

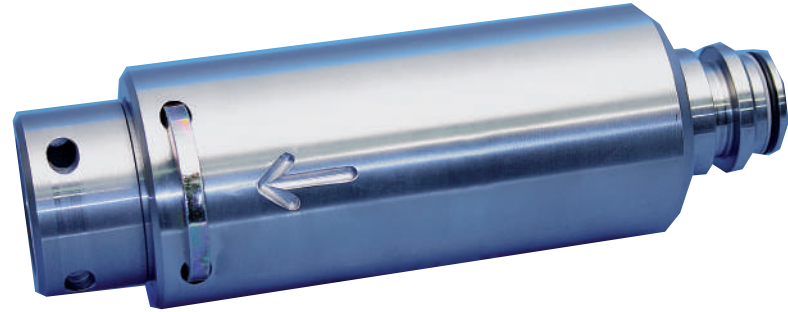
**SPECIFICATION**

Inlet / outlet  
Mat. housing  
Max. flow rate  
Max. operating pressure  
Max. dP Element  
Filter rating

DN 20 Steck-O  
stainless steel  
53 GPM  
5076 PSI  
4641 PSI  
25 µm or 40 µm



**INLINE  
FILTRATION**

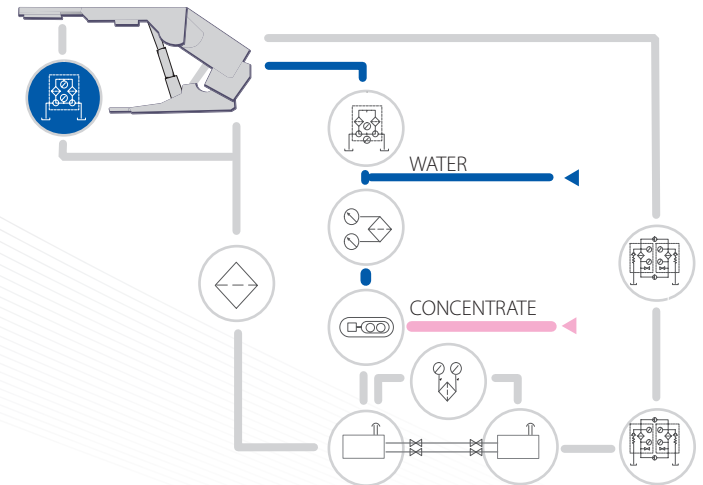


**3083**  
Inline filter LL

**SPECIFICATION**

Inlet / outlet  
Mat. housing  
Max. flow rate  
Max. operating pressure  
Max. dP Element  
Filter rating

DN 25 Steck-O  
stainless steel  
79 GPM  
5076 PSI  
4569 PSI  
25 µm or 40 µm



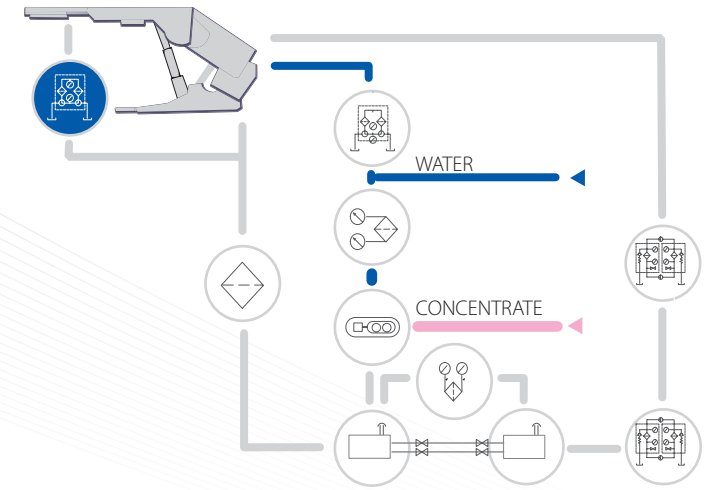
**INLINE  
FILTRATION**

**3173**  
Inline filter

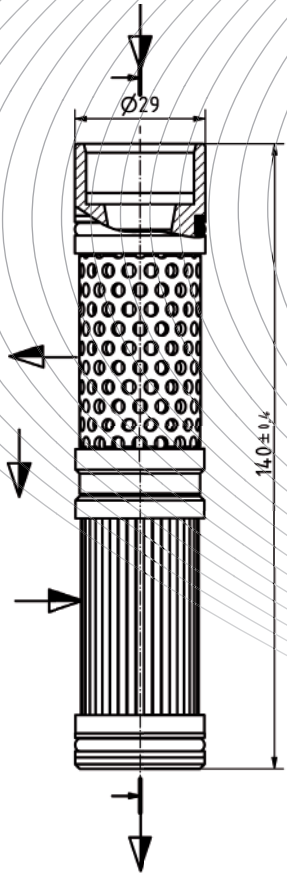
**SPECIFICATION**

Inlet / outlet  
Mat. housing  
Max. flow rate  
Max. operating pressure  
Max. dP Element

DN 50 SS  
steel and stainless steel  
317 GPM  
5076 PSI  
4569 PSI



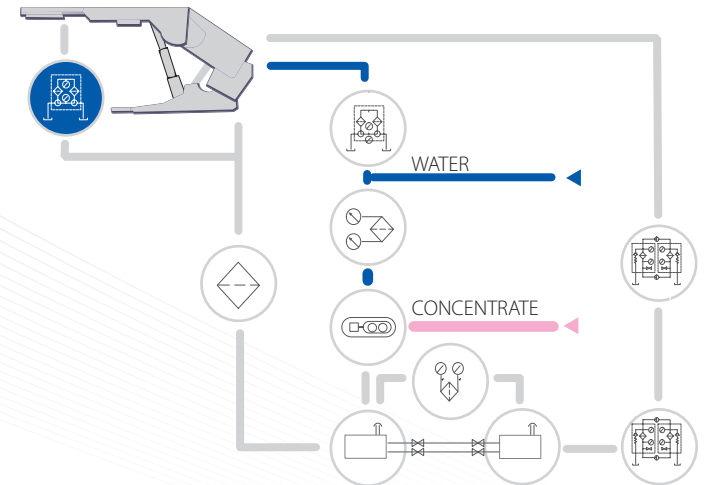
# INLINE FILTRATION



## 10266 Inline filter

### SPECIFICATION

Inlet / outlet	DN 20 Steck-O
Mat. housing	stainless steel
Max. flow rate	53 GPM
Max. operating pressure	5076 PSI
Max. operating temperature	176 °F
Filter rating	25 $\mu$ m or 80 $\mu$ m



**INLINE  
FILTRATION**

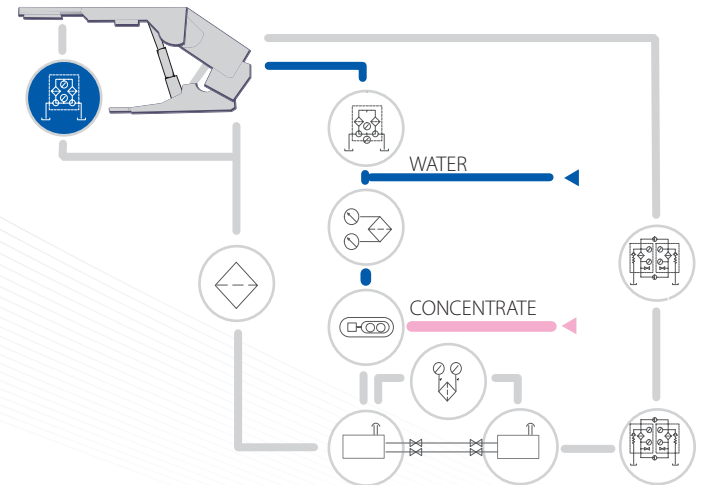
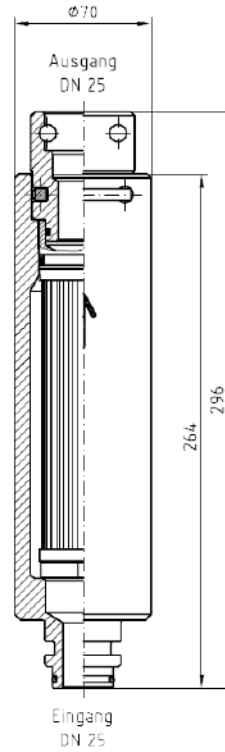
# 10363

Inline filter

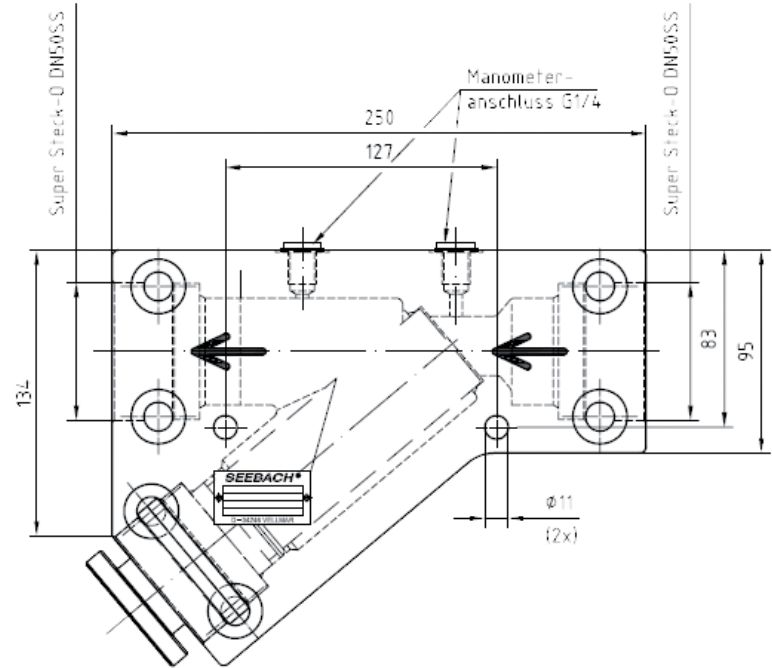
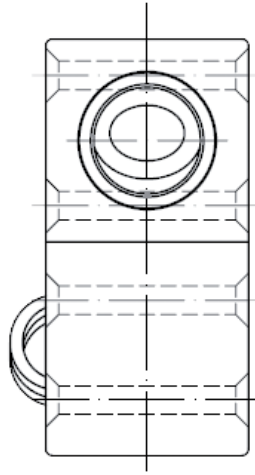
## SPECIFICATION

Inlet / outlet  
Mat. housing  
Max. flow rate  
Max. operating pressure  
Max. dP Element  
Filter rating

DN 25 Steck-O  
stainless steel  
79 GPM  
5076 PSI  
4641 PSI  
on request



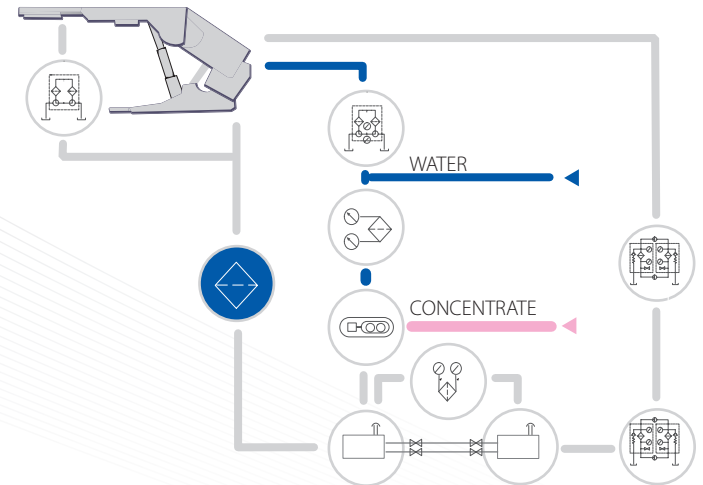
**INLINE  
FILTRATION**



**3171  
Strainer**

**SPECIFICATION**

Inlet / outlet	DN 50 SS
Mat. housing	stainless steel
Max. flow rate	317 GPM
Max. operating pressure	5076 PSI
Filter rating	200 -> 1000 µm



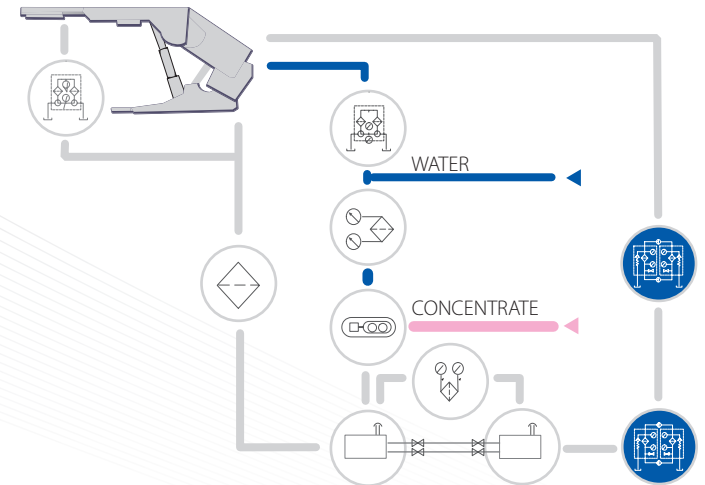
# Return Line Filtration

# RETURN LINE FILTRATION

## 1353 Return line filter

### SPECIFICATION

Inlet / outlet	G 2
Mat. housing	stainless steel
Max. flow rate	211 GPM
Max. operating pressure	145 PSI
Weight	148 LB
Filter rating	10 µm to 800 µm



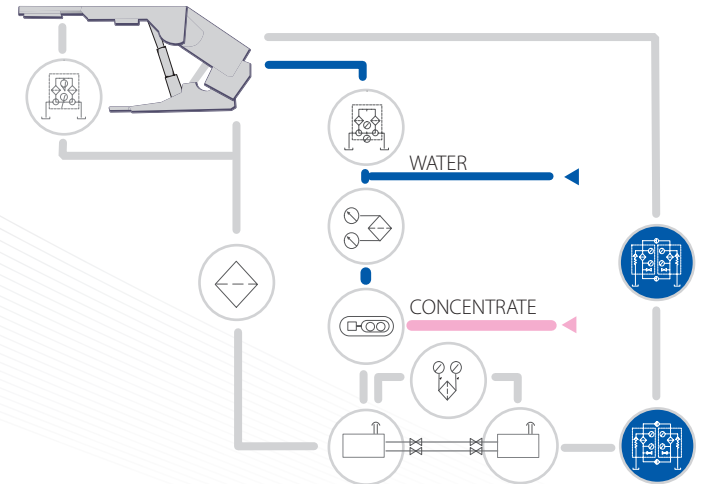


# RETURN LINE FILTRATION

## 1443 Double filter station

### SPECIFICATION

Inlet / outlet	G 2
Max. flow rate	370 GPM
Max. operating pressure	145 PSI
Filter rating	5 µm to 800 µm

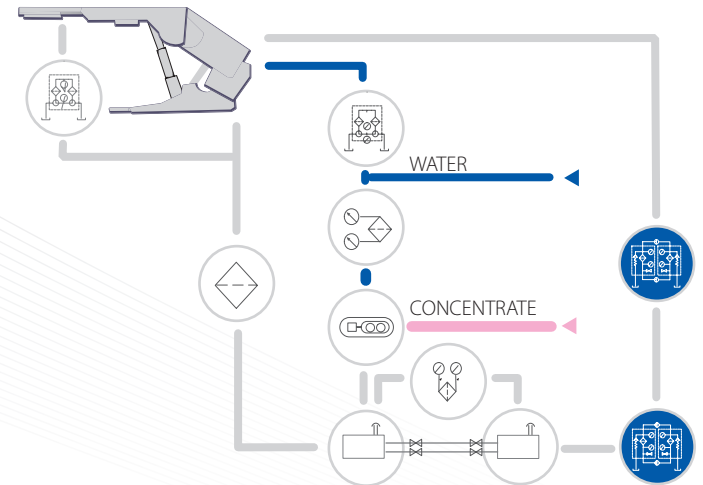


# RETURN LINE FILTRATION

## 1495 Double filter station

### SPECIFICATION

Inlet / outlet	G2 / G3 / DN 80 / DN 100
Mat. housing	steel
Max. flow rate	423 GPM
Max. operating pressure	232 PSI

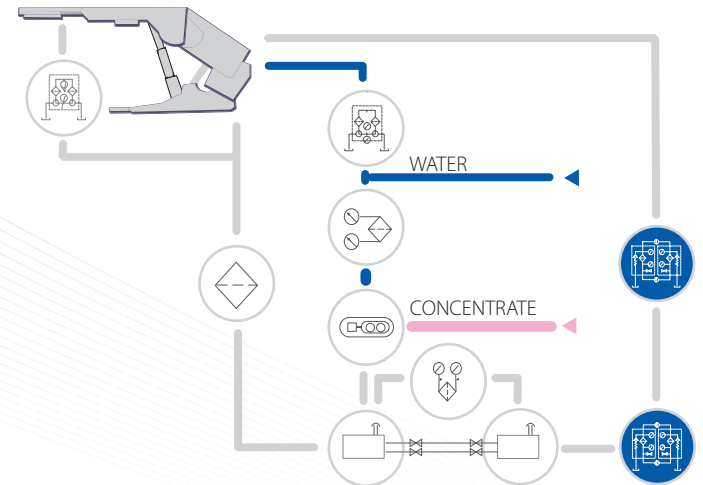


# RETURN LINE FILTRATION

## 3062 Return filter

### SPECIFICATION

Inlet / outlet	G 2
Max. flow rate	211 GPM
Max. operating pressure	232 PSI
Max. operating temperature	140 °F

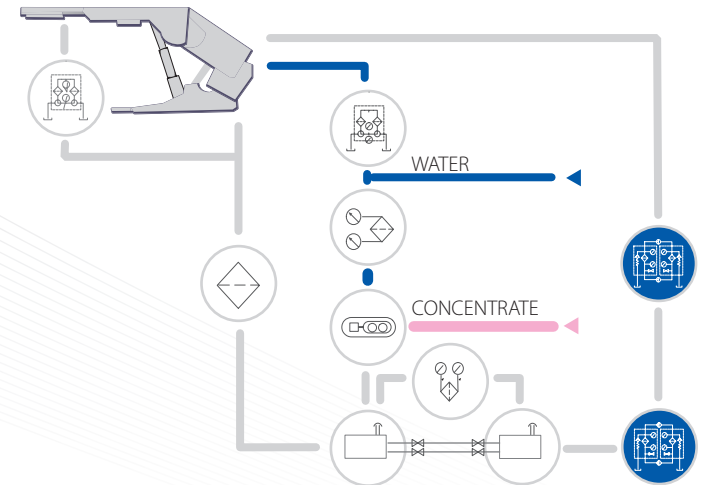


# RETURN LINE FILTRATION

## 3086 Double return filter

### SPECIFICATION

Inlet / outlet	G2/G3/DN80/DN100
Mat. housing	stainless steel
Max. flow rate	423 GPM
Max. operating pressure	145 PSI
No. of elements	2
Bypass	optional
Filter rating	3 $\mu\text{m}$ -> 25 $\mu\text{m}$

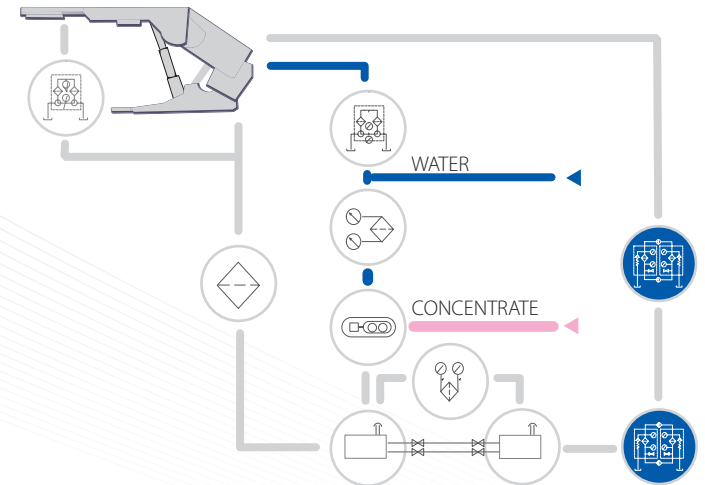


# RETURN LINE FILTRATION

## 3230 Return filter LLK

### SPECIFICATION

Inlet / outlet	G 2
Mat. housing	stainless steel
Max. flow rate	211 GPM
Max. operating pressure	363 PSI
No. of elements	1
Max. operating temperature	140 °F
Bypass	optional
Volume of vessel	11 US GAL
Weight	187 LB



# RETURN LINE FILTRATION

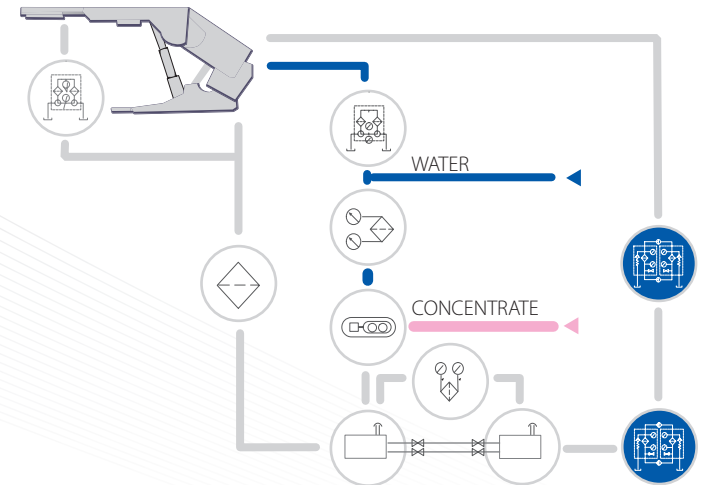


## 1511 Double return filter

### SPECIFICATION

Inlet / outlet  
Max. flow rate  
Max. operating pressure  
Filter rating

DN 80  
317 GPM  
232 PSI  
50 µm / 100 µm / 200 µm



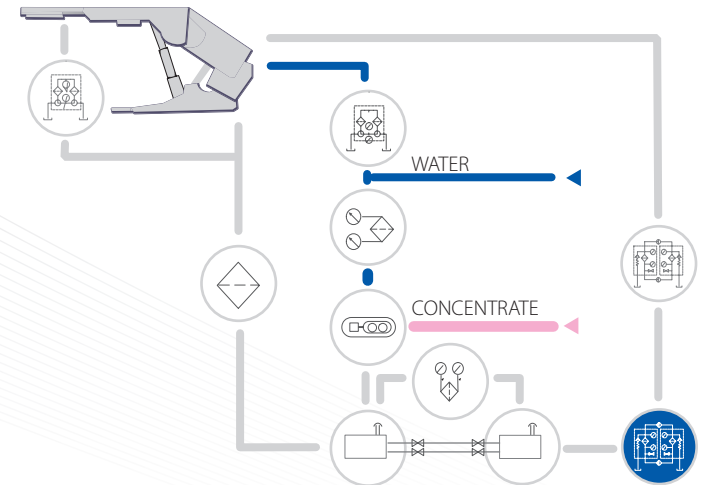
# In-Tank Filtration

# IN TANK FILTRATION

## 10020 In tank filter LLL

### SPECIFICATION

Inlet / outlet	3" NPT
Mat. housing	stainless steel
Max. flow rate	687 GPM
Rec. flow rate	581 GPM
Max. operating pressure	305 PSI
Max. operating temperature	140 °F
dP bypass	73 PSI
Volume of vessel	18 US GAL
Weight	227 LB
Standards	AD





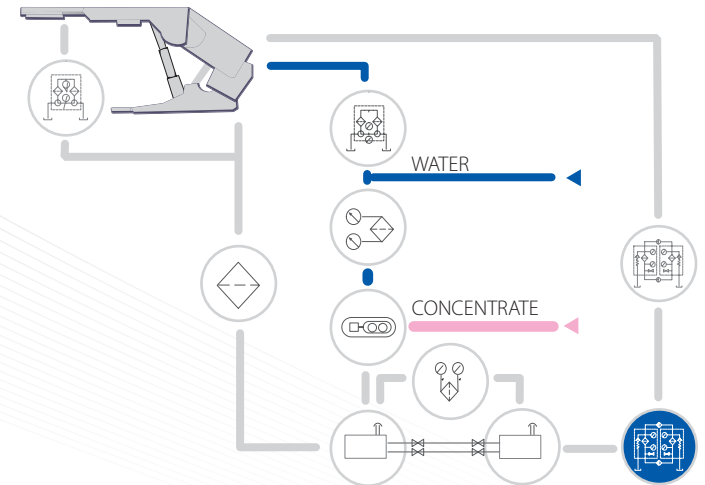
**IN TANK**  
FILTRATION

# 10250

## Filter triple L short

### SPECIFICATION

Inlet / outlet	3" NPT
Mat. housing	stainless steel
Max. flow rate	264 GPM
Rec. flow rate	581 GPM
Max. operating pressure	602 PSI
No. of elements	1
Max. operating temperature	140 °F
Volume of vessel	12 US GAL
Weight	243 LB
Max. dP Element	73 PSI
Standards	AD
Filter rating	3 -> 25 µm



# Filter Elements

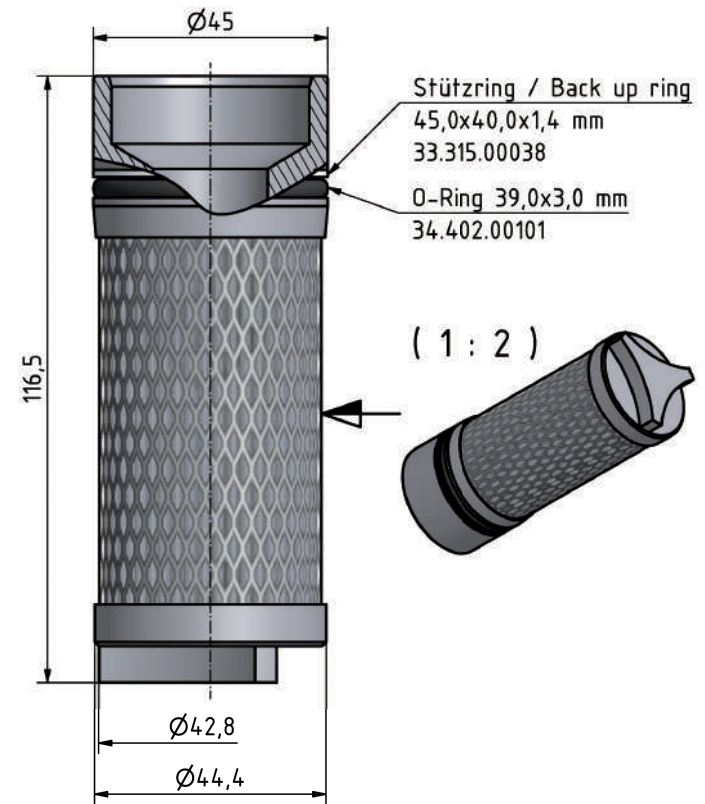


# FILTERELEMENTS

## 10322-100 Filterelement

### SPECIFICATION

Max. operating temperature	212 °F
Flow direction	outside -> inside
Material meshpack	stainless steel wire mesh
pleated	
Material cap	stainless steel
Max. dP Element	4641 PSI
Filter rating	25 µm or 40 µm

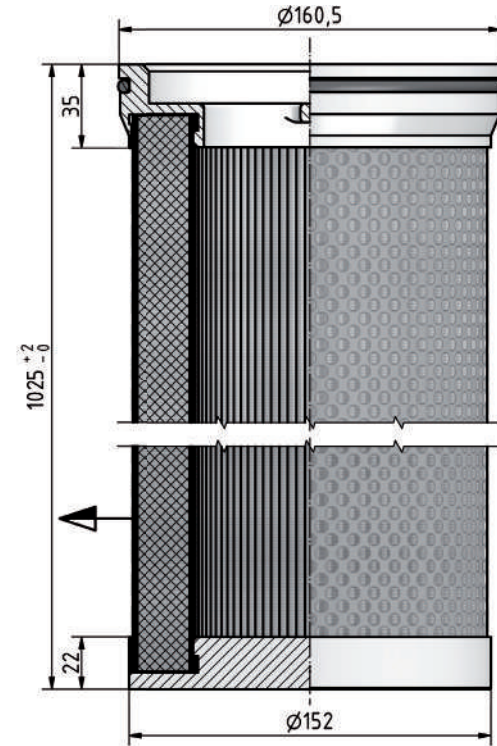


# FILTERELEMENTS

## 10600-000 Filterelement

### SPECIFICATION

Max. operating temperature	212 °F
Flow direction	inside -> outside
Material meshpack and PET fleece	stainless steel wire mesh
Material cap	aluminium anodized
Max. dP Element	102 PSI
Filter rating	10 µm

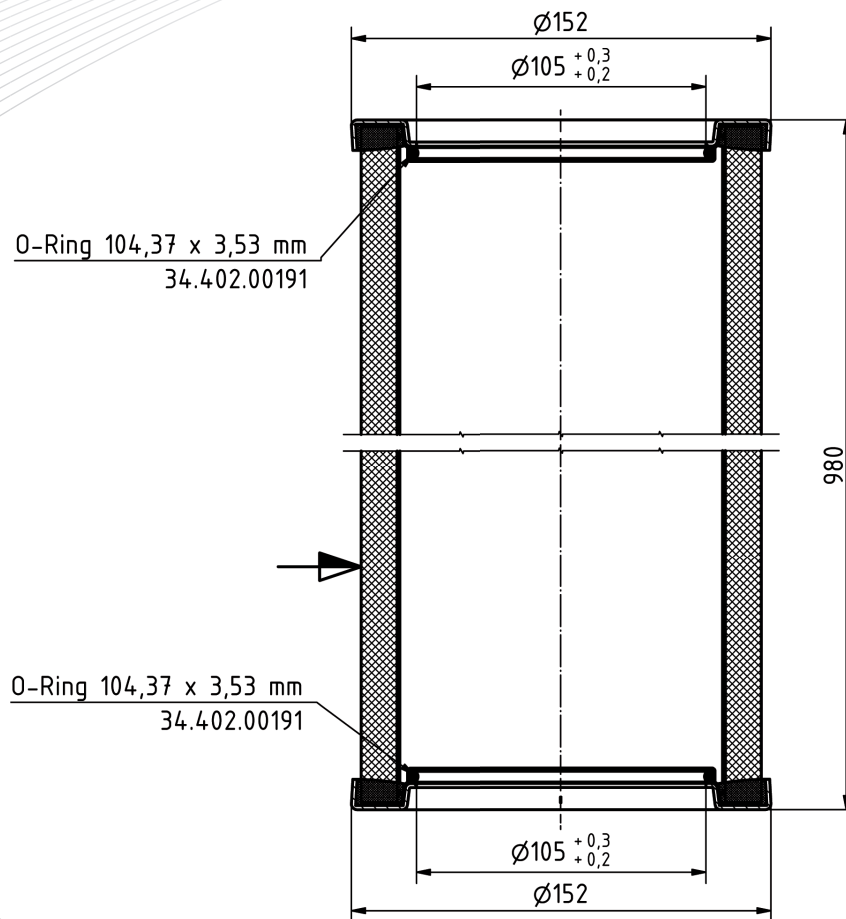


# FILTERELEMENTS

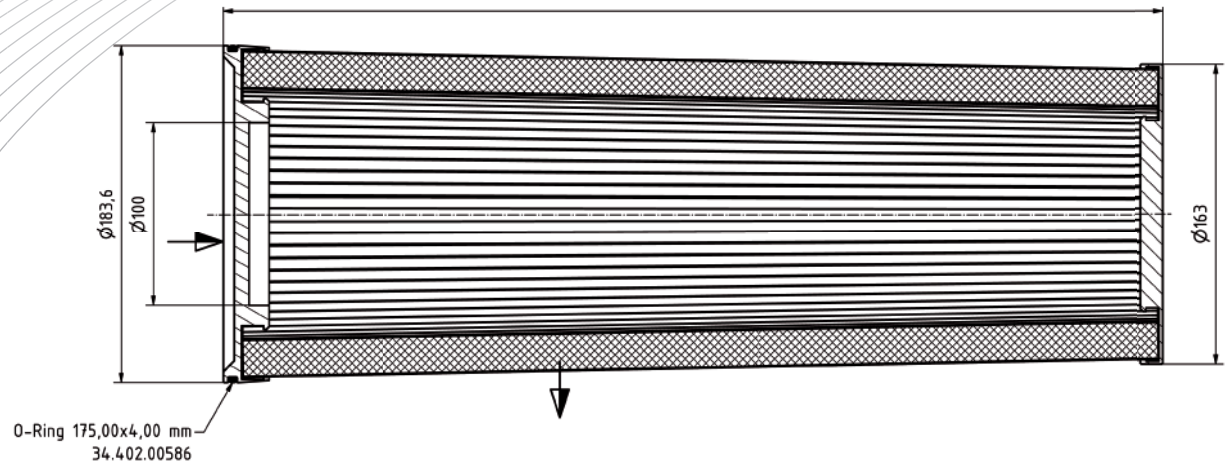
## 10594 Filterelement

### SPECIFICATION

Max. operating temperature	212 °F
Flow direction	outside -> inside
Material meshpack and PET-Vlies pleated	stainless steel wire mesh
Material cap	steel galvanized
Filter rating	6 µm -> 150 µm



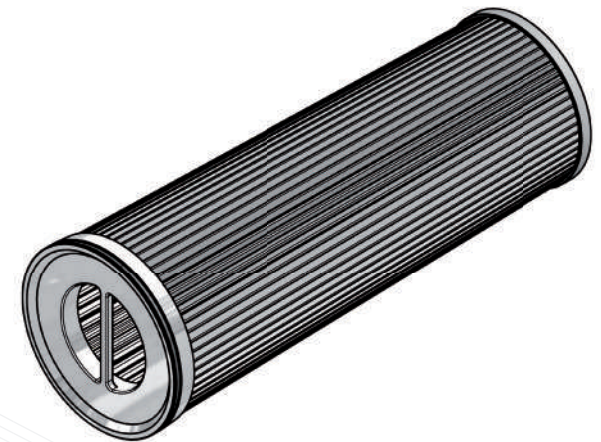
# FILTERELEMENTS



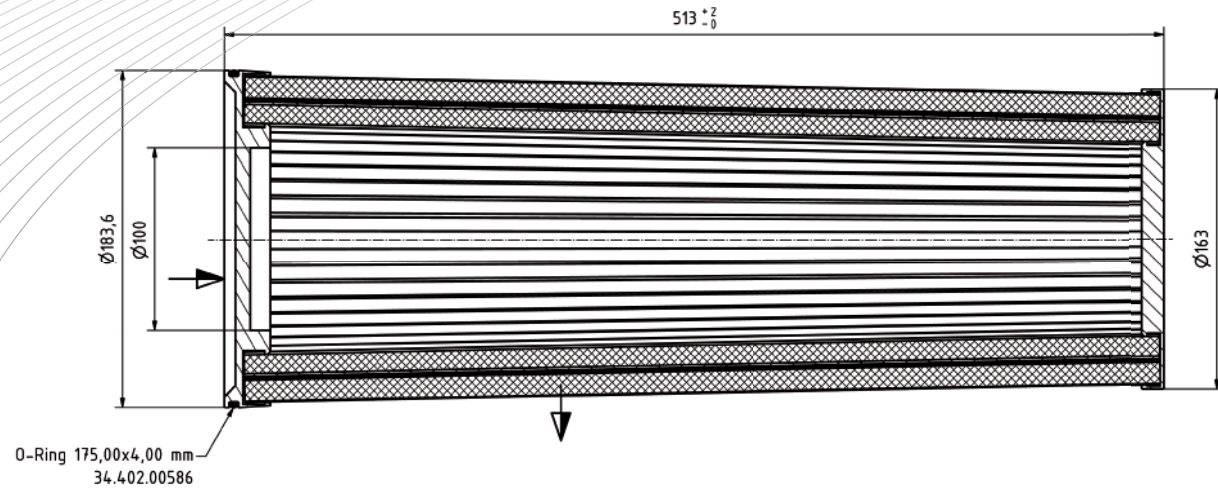
## 10250-120 Filterelement (1 Meshpack)

### SPECIFICATION

Max. operating temperature	212 °F
Flow direction	inside -> outside
Material meshpack and PET- fleece pleated	stainless steel wire mesh
Material cap	aluminium anodized
Max. dP Element	87 PSI
Filter rating	150 µm



# FILTERELEMENTS



## 10250-110 Filterelement (2 meshpack)

### SPECIFICATION

Max. operating temperature	212 °F
Flow direction	inside -> outside
Material meshpack and PET- fleece pleated	stainless steel wire mesh
Material cap	aluminium anodized
Max. dP Element	87 PSI
Filter rating	3 µm -> 25 µm



# FILTERELEMENTS

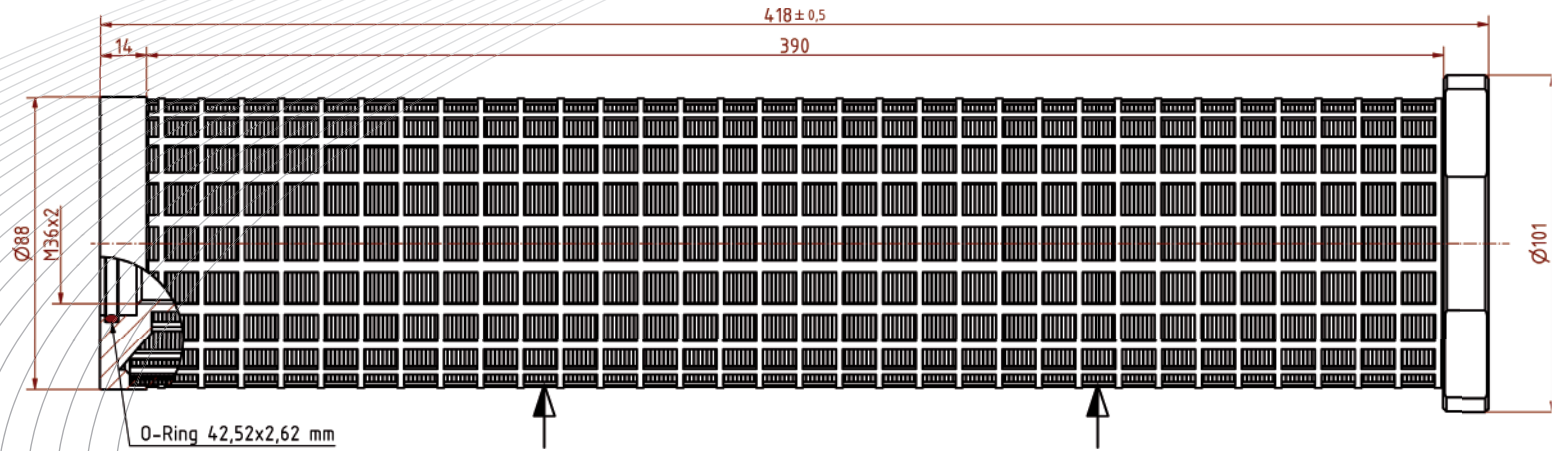


## 10020 Filterelement

### SPECIFICATION

Max. operating temperature	212 °F
Flow direction	inside -> outside
Material meshpack and PET-Vlies pleated	stainless steel wire mesh
Notice and 2 Meshpack	optional 6 µm or 10 µm
Material cap	aluminium anodized
Max. dP Element	87 PSI
Filter rating	6 µm or 10 µm





# 10152-100

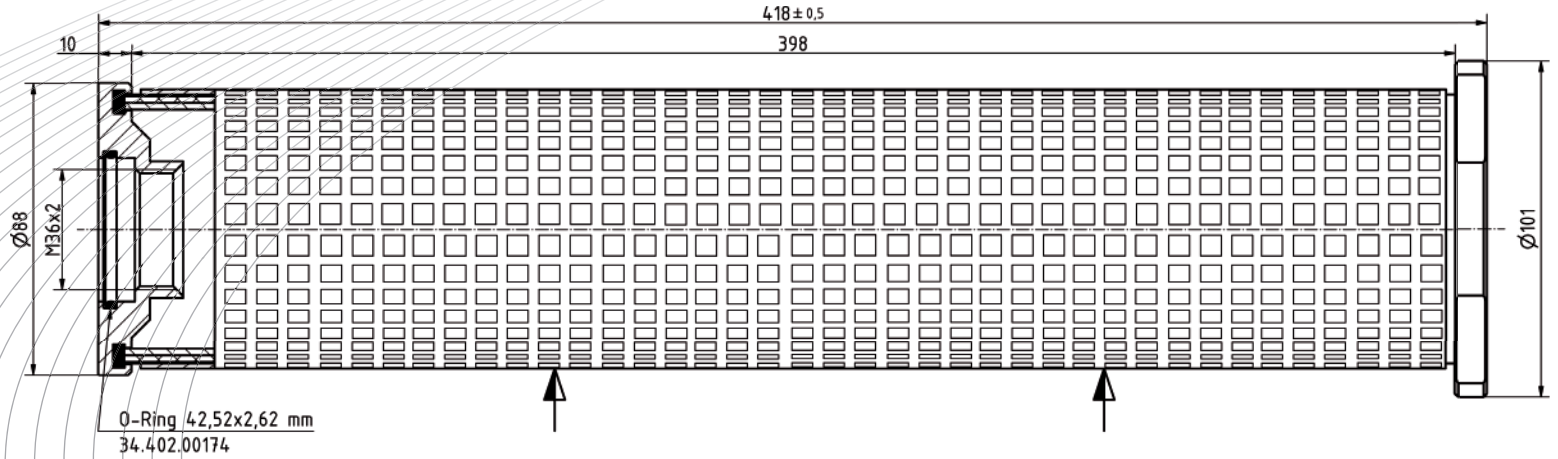
## Filterelement

### SPECIFICATION

Max. operating temperature	212 °F
Flow direction	outside -> inside
Material meshpack	stainless steel slotted tube
Material cap	stainless steel
Max. dP Element	363 PSI
Filter rating	50 µm or 100 µm



# FILTERELEMENTS



## 10152-105 Filterelement

### SPECIFICATION

Max. operating temperature	212 °F
Flow direction	outside -> inside
Material meshpack	stainless steel laminate
Material cap	stainless steel
Max. dP Element	725 PSI
Filter rating	25 µm -> 200 µm



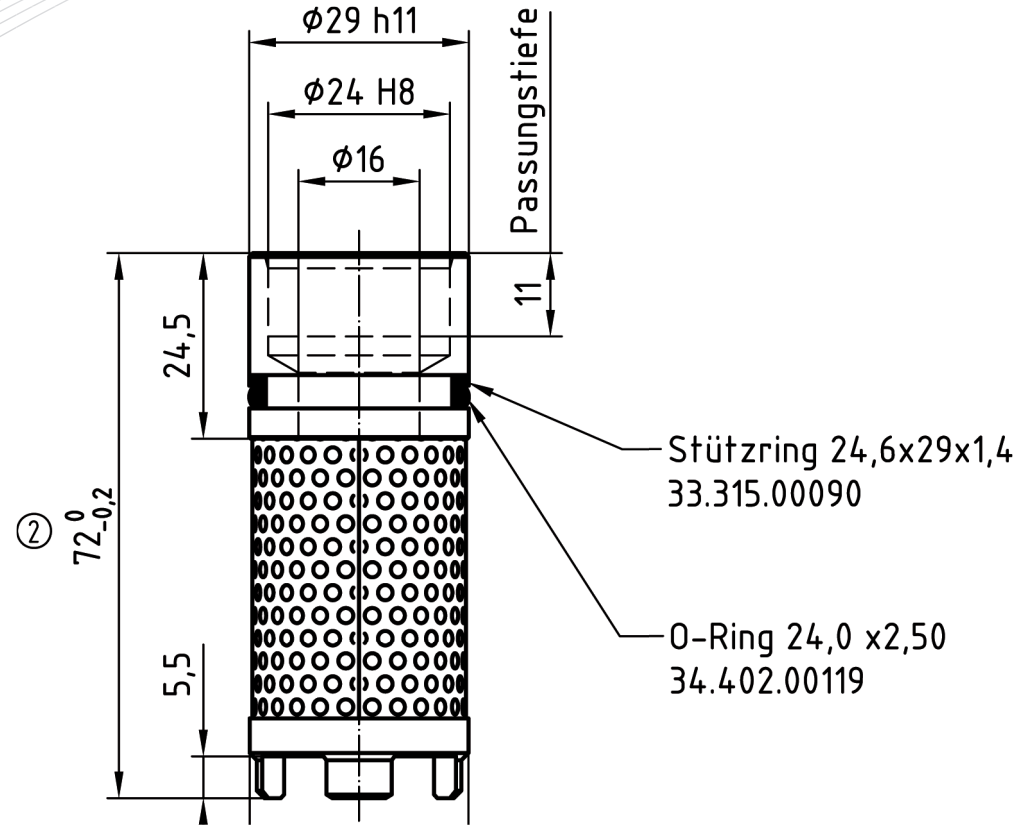
# Filter Cartridges

# FILTERCARTRIDGES

## 1330-020 Filtercartridge

### SPECIFICATION

Mat. housing	stainless steel
Max. flow rate	48 GPM
Flow direction	outside -> inside
Max. dP Element	4569 PSI



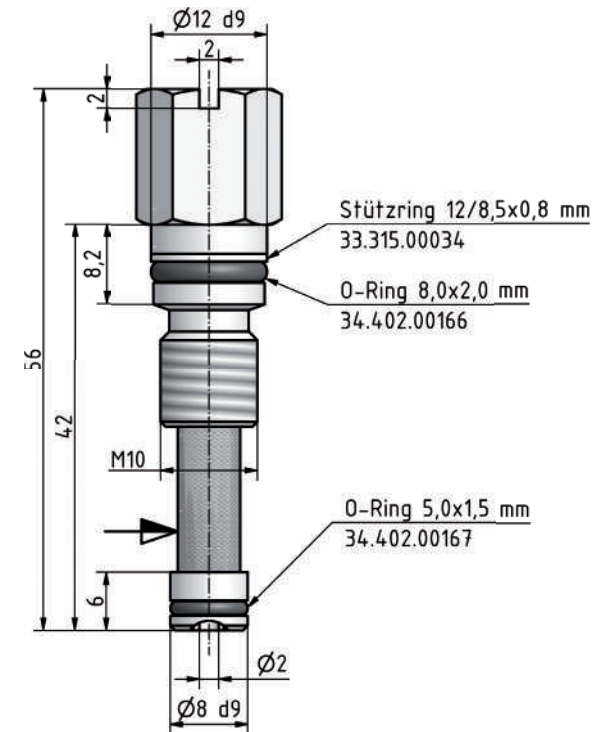
# FILTERCARTRIDGES

## 10353 Filter cartridge

### SPECIFICATION

Mat. housing  
Flow direction  
Material meshpack  
Max. dP Element  
Filter rating

stainless steel  
outside -> inside  
stainless steel laminate  
5076 PSI  
25 µm

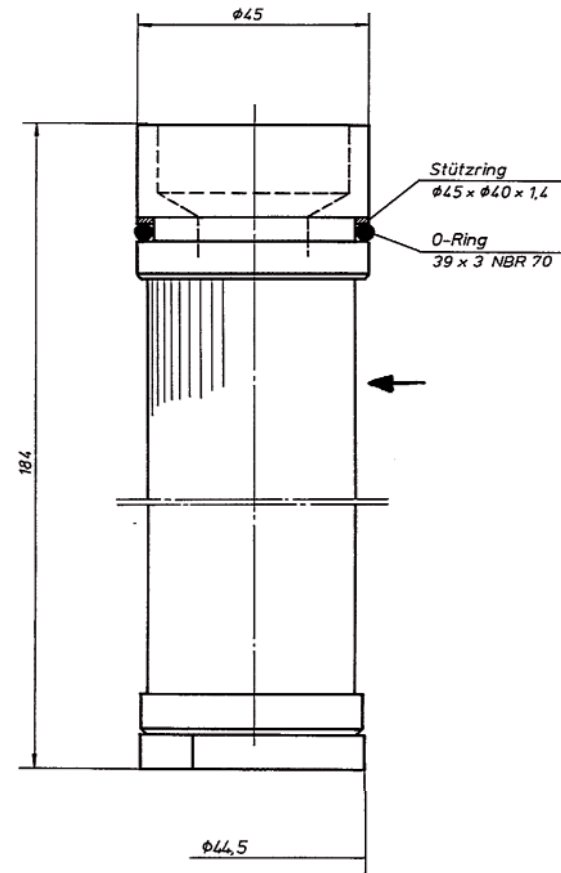


# FILTERCARTRIDGES

## 3075-020 Filtercartridge

### SPECIFICATION

Mat. housing	stainless steel
Max. flow rate	79 GPM
Flow direction	outside -> inside
Max. dP Element	4641 PSI





# SWANSON

I N D U S T R I E S

*Global Leader In Engineered Hydraulics*

## Swanson Industries

(MMH-UT)

Highway 50 & 6, PO Box 176H

Helper, UT 84526

Phone: (435) 472-3452

Fax: (435) 472-8779

### Jim McCourt

**Western Sales Manager**

Highway 50 & 6, PO Box 176H

Helper, UT 84526

Phone: (435) 472-2710

Mobile: (435) 630-4148

Fax: (435) 472-8779

[jmccourt@swansonindustries.com](mailto:jmccourt@swansonindustries.com)

### Doug Allred

**Western Region Sales & Service**

Highway 50 & 6, PO Box 176H

Helper, UT 84526

Office: (435) 472-3452

Mobile: (435) 650-3832

Home: (801) 360-3982

Fax: (435) 472-8779

[dallred@swansonindustries.com](mailto:dallred@swansonindustries.com)

## Swanson Industries

(Global Headquarters)

2608 Smithtown Road

Morgantown, WV 26508

Phone: 1-800-327-6203

Fax: (304) 291-5602

[www.swansonindustries.com](http://www.swansonindustries.com)

[seebach@swansonindustries.com](mailto:seebach@swansonindustries.com)

### Don Bowers

**Director of Sale – North America**

2608 Smithtown Road

Morgantown, WV 26508

Office: (304) 284-5131

Mobile: (219) 208-9738

Fax: (304) 291-5602

[dbowers@swansonindustries.com](mailto:dbowers@swansonindustries.com)

## Swanson Industries

(MMH-WV)

437 Goshen Road

Morgantown, WV 26508

Phone: (304) 284-5199

Fax: (304) 292-3971

### Josh Pearson

**Eastern Sales Manager**

437 Goshen Road

Morgantown, WV 26508

Office: (304) 284-5198

Mobile: (812) 455-1820

Fax: (304) 292-3971

[jpearson@swansonindustries.com](mailto:jpearson@swansonindustries.com)

### Kevin Kendall

**Product Manager**

&

**Technical Support**

437 Goshen Road

Morgantown, WV 26508

Office: (304) 284-5192

Fax: (304) 292-3971

[kkendall@swansonindustries.com](mailto:kkendall@swansonindustries.com)

# SEEBACH®

